



Power Bank
ZEB **EnergiPod 20R4**



User Manual

www.zebronics.com

Thank you for purchasing **ZEB-PB04A** Power Bank. Please read this user manual carefully and keep it for future reference.

Note:

- Avoid the usage of this product at high-temperature environments, and high-humidity.
- Avoid the self-disassembling of the product or it will result in voiding the Product's warranty.
- Please charge the product with rated (DC 5V/2A) power Charger/Adapter.

Caution: There is a risk of explosion if the product is disposed in the fire. To know more about Terms and conditions for warranty policy, please visit

<https://zebronics.com/pages/warranty-policy>

Features:

- Dual USB Output
- Rapid Charge
- LED Percentage Display
- Mobile/Tablet Compatible
- PD Type-C and Dual USB Output
- Micro USB & Type-C Input ports
- Over Charge Protection
- Overload Protection
- 22.5W Max. Output
- Short Circuit Protection

Specifications:

Battery Capacity	: 20000mAh
Type C Input	: DC 5V/3A, 9V/2A, DC 12V/1.5A
Micro USB Input	: DC 5V/2A, DC 9V/2A, DC 12V/1.5A
Output 1 (TYPE C)	: DC 5V/3A, 9V/2.22A, 12V/1.67A, 5~11V / 2A
Output 2	: DC 5V/3A, 9V/2A, 12V/1.5A, 10V/2.25A
Output 3	: DC 5V/3A, 9V/2A, 12V/1.5A, 10V/2.25A (22.5W max. output)
No.of Ports	: 2 USB + 1 Type C PD 3.0
Charging Time	: 5hours, 46 Minutes approx
Product Dimension (W x D x H)	: 6.6 x 2.8 x 14.8 cm
Net Weight	: 403 g

Package Contents :

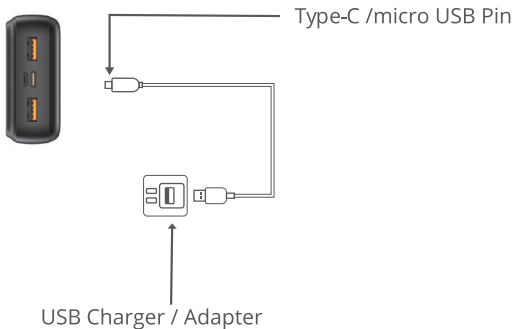
Power Bank	: 1 U
Charging Cable	: 1 U
QR Code Guide	: 1 U

Port description :



Charging the Power Bank :

Connect the Type-C/microUSB end of the charging cable to the power bank and the other end to the charger or adapter.



Charging your Device with the Power Bank :

Connect your device with the Type C connector /Micro USB connector or lightning end of the cable and connect the other end of the cable to the power bank USB output port.

