



Power Bank

ZEB **Energi Tank 10R1**



User Manual

www.zebtronics.com

Thank you for purchasing the **ZEB-EnergiTank 10R1** power bank. Please read this user manual carefully before operation and save it for future reference.

Note:

- Avoid the usage of this product at high-temperature and high-humidity environments.
- Avoid the self-disassembling of the product or it will result in voiding the Product's warranty.
- Please charge the product with a power adapter output rated TYPE-C (please refer to the specification).

Caution: There is a risk of explosion if the product is disposed in the fire.

To know more about Terms and conditions for warranty policy, please visit

<https://zebronics.com/pages/warranty-policy>

Features:

22.5W Max. Output

Rapid Charge

LED Percentage Display

Mobile/Tablet Compatible

Type C Input & Output

Over Charge Protection

Overload Protection

Short Circuit Protection

Attached output cables

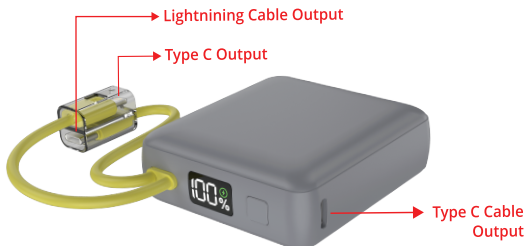
Specifications:

Battery Capacity	: 10000mAh
Type-C Input	: DC 5V/3A, 9V/2A, 12V/1.5A
Output 1 (Type -C port)	: DC 5V/3A, 9V/2.22A, 12V/1.67A
Output 2 (Lightning cable)	: DC 5V/2A
Output 3 (TYPE C cable)	: DC 5V/3A, 9V/2.22A, 10V/2.25A, 12V/1.67A (22.5W max. output)
No.of Outputs	: 3
Charging Time	: approx. 3.5h
Product Dimension (W x D x H)	: 6.3 x 2.4 x 8 cm
Net Weight	: 190g
Country of Origin	: Made in India

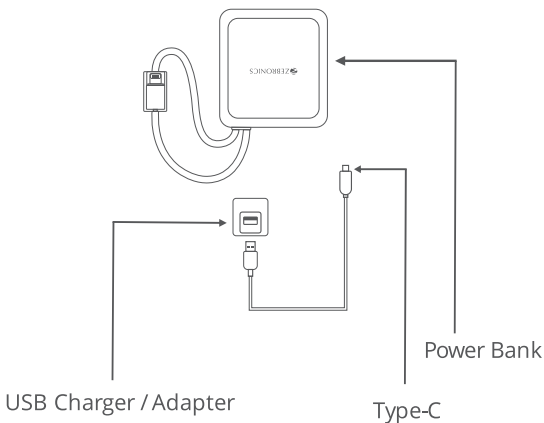
Package Contents :

Speaker	: 1 U
Charging cable	: 1 U
QR Code Guide	: 1 U

Ports :

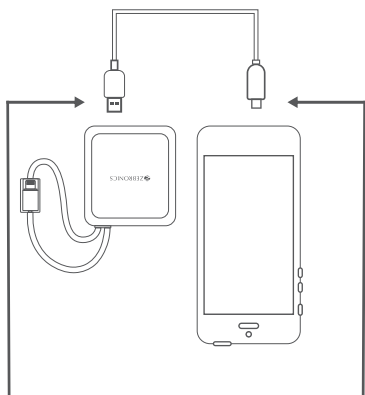


Charging the Power Bank :



- Connect the Type C end of the charging cable to the power bank and the USB end to the charger. Or can charge through Built in USB cable.

Charging your Device with the Power Bank



Output Port USB /
Type C x 2

Device with
Type-C/Micro USB
Lightning Support

- Connect the Type C/USB end of the charging cable to the device and the USB/Type C end to the output ports of the power bank.

ISO 9001:2015 Certified Company
www.zebronics.com