



Power Bank
ZEB
MB10000S15



User Manual

www.zebronics.com

Thank you for purchasing the **ZEB-MB10000S15** Power bank. Please read this user manual carefully before operation and save it for future reference.

Note:

- Avoid the usage of this product at high-temperature and high-humidity environments.
- Avoid the self-disassembling of the product or it will result in voiding the Product's warranty.
- Please charge the product with rated (DC 5V/3A, DC 9V/2A, DC 12V/1.5A) with Type-C power adapter and (DC 5V/2A, DC 9V/2A, DC 12V/1.5A) with Micro USB power adapter.

***Caution:** There is a risk of explosion if the product is disposed in the fire.*

To know more about Terms and conditions for warranty policy, please visit

<https://zebronics.com/pages/warranty-policy>

Features:

Dual USB Output

Rapid Charge

LED Percentage Display

Mobile/Tablet Compatible

PD 3.0 Type C Output

Type C Input

Over Charge Protection

Overload Protection

Short Circuit Protection

22.5W Max. Output

Matte Finish

Specifications:

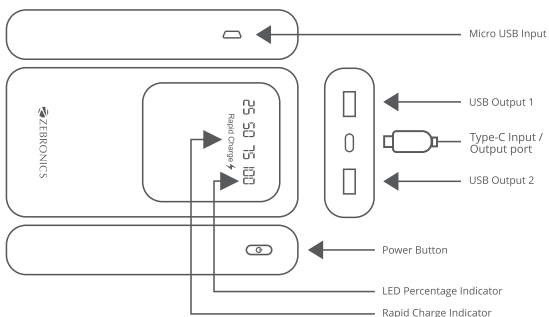
Battery Capacity	: 10000mAh
Type C Input	: DC 5V/3A, 9V/2A, 12V/1.5A
Micro USB Input	: DC 5V/2A, 9V/2A, 12V/1.5A
Output 1	: DC 5V/3A, 9V/2A, 12V/1.5A
Output 2	: DC 5V/3A, 9V/2A, 12V/1.5A
Output 3 (Type C)	: DC 5V/3A, 9V/2.22A, 12V/1.85A, 3.8 ~11V/2A PPS (22.5W Max. Output)
No. of Output Port	: 2 USB + 1 Type C PD 3.0
Charging Time	: Approx. 3.5 h
Product Dimension (W x D x H)	: 6.7 x 1.6 x 15 cm
Net Weight	: 170g

Package Contents :

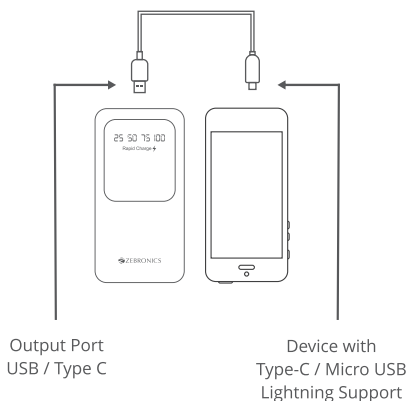
Power Bank	: 1 U
Charging Cable	: 30cm x 1 U
QR Code Guide	: 1 U

Charging Instructions :

- Connect the Type C / micro USB end of the charging cable to the power bank and the USB end to the charger or adapter with a DC 5V/3A, DC 9V/2A, DC 12V/1.5A for Type-C input and DC 5V/2A, DC 9V/2A, DC 12V/1.5A for Micro USB input.



Charging your Device with the Power Bank :



- Connect your device with the Type C connector or Micro USB or Lightning connector end of the cable and connect the other end of the cable to the power bank output port.

***Note:** Simultaneous Usage of the power bank output provides standard 5VDC output.*

ISO 9001:2015 Certified Company
www.zebronics.com

