



ZEB Power bank **MB10000S8**



User Manual

www.zebronics.com

Thank you for purchasing the **ZEB-MB10000S8** power bank. Please read this user manual carefully before operation and save it for future reference.

Note:

- Avoid the usage of this product at high-temperature and high-humidity environments.
- Avoid the self-disassembling of the product or it will result in voiding the Product's warranty.
- Please charge the product with rated (DC 5V/2A) power Charger/Adapter.

Caution:

There is a risk of explosion if the product is disposed in the fire.

To know more about Terms and conditions for warranty policy, please visit

<https://zebrionics.com/pages/warranty-policy>

Features:

Dual Output

LED Indicator

Mobile/Tablet Compatible

Type C & Micro USB Input

Over Charge Protection

Overload Protection

Short Circuit Protection

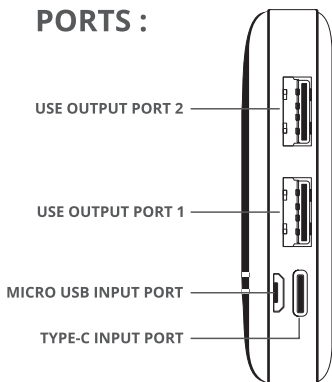
Specifications :

Battery capacity	: 10000mAh
Input	: DC 5V/2A
Output 1	: DC 5V/2A
Output 2	: DC 5V/2A (Total 2A Max.)
No. of Output port	: 2
Charging time	: 5 - 6h
Product dimension (W x D x H)	: 6.8 x 1.7 x 13.7 cm
Net. weight	: 226g

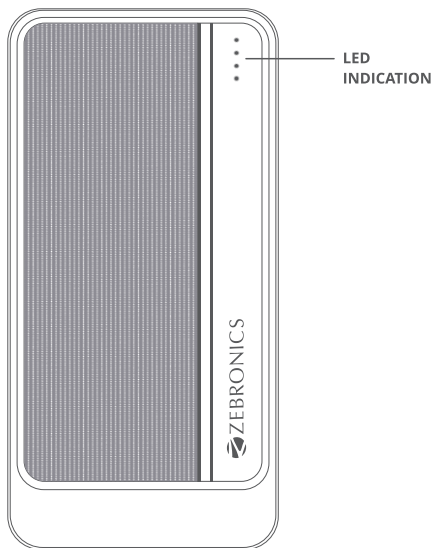
Package contents :

Power bank	: 1 U
Charging cable	: 1 U
QR Code Guide	: 1 U

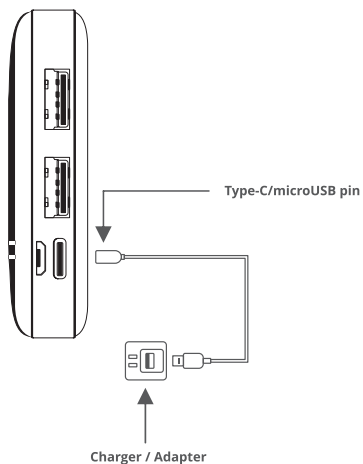
PORTS :



INDICATIONS :



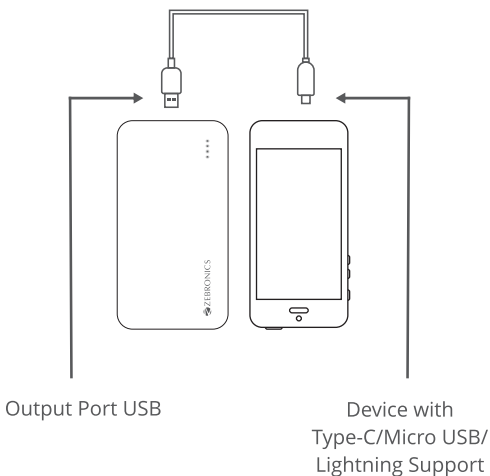
Charging instructions for Power Bank:



Connect the **Type-C/microUSB** end of the charging cable to the power bank and the end to the charger or adapter.

Please charge the power Bank with rated DC 5V/2A power adapter/charger.

Charging your Device with the Power Bank:



Connect your device with the Type C connector /Micro USB connector or lightning end of the cable and connect the other end of the cable to the power bank USB output port.

ISO 9001:2015 Certified Company
www.zebronics.com