



Power bank  
**MB20000R4**



**User Manual**

[www.zebronics.com](http://www.zebronics.com)

Thank you for purchasing the **ZEB-MB20000R4** Power Bank. Please read this user manual carefully before operation and save it for future reference.

**Note :**

- Avoid the usage of this product at high-temperature and high-humidity environments.
- Avoid the self-disassembling of the product or it results in voiding the Product's warranty.
- Please charge the product with rated (DC 5V/3A, DC 9V/2A, DC 12V/1.5A) with Type C power Adapter and DC 5V/2A, DC 9V/2A, DC 12V/1.5A with Micro USB power adapter.

**Caution :**

There is a risk of explosion if the product is disposed of in the fire.

To know more about Terms and conditions for warranty policy, please visit

<https://zebronics.com/pages/warranty-policy>

**Features :**

Dual USB Output

Rapid Charge

LED Indicator

Mobile/Tablet Compatible

PD 3.0 Type C Output

Type C Input

Over Charge Protection  
Overload Protection  
20W Max. Output  
Short Circuit Protection

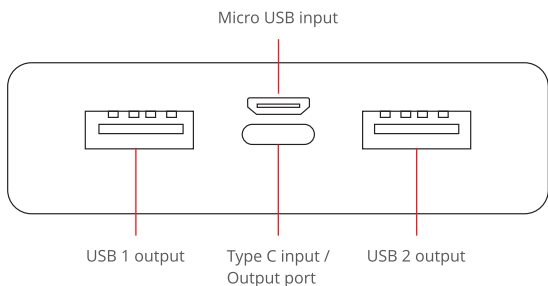
**Specifications :**

Battery capacity : 20000mAh  
TYPE C Input : DC 5V/3A, DC 9V/2A,  
DC 12V/1.5A  
Micro USB Input : DC 5V/3A, DC 9V/2A,  
DC 12V/1.5A  
Output 1 : DC 5V/3A, DC 9V/2A,  
DC 12V/1.5A  
Output 2 : DC 5V/3A, DC 9V/2A,  
DC 12V/1.5A  
Output 3 (TYPE C) : DC 5V/3A, DC 9V/2.22A,  
DC 12V/1.67A  
(20W max. output)  
No.of Output port : 2 USB + 1 Type C PD 3.0  
Charging time : approx. 5.4h  
(with 5V Type-C)  
Product dimensions : 6.9 x 13.7 x 2.7 cm  
(WxDxH)  
Net. weight : 388.8g

**Package contents :**

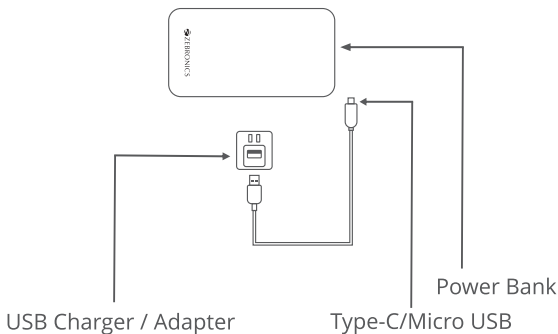
Power bank : 1 U  
Charging cable : 1 U  
QR Code guide : 1 U

## Port description :



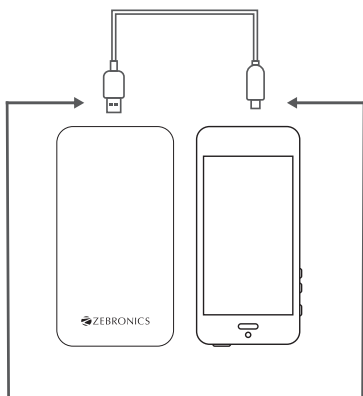
## General instructions

### Charging instructions :



Please charge the power Bank with rated (DC 5V/3A, DC 9V/2A, DC 12V/1.5A) with Type C power Adapter and DC 5V/2A, DC 9V/2A, DC 12V/1.5A with Micro USB power adapter.

## Charging your Device with the Power Bank:



Output port 1/2

Device with  
Type-C / Micro USB  
Support

Connect your device with the Type C connector or Micro USB connector end of the cable and connect the other end of the cable to the power bank.

*Note:- Simultaneous Usage of the power bank output provides standard 5V DC output.*

**ISO 9001:2015 Certified Company**  
**[www.zebronics.com](http://www.zebronics.com)**