



ZEB Power bank  
**MB20000R5**



## User Manual

[www.zebronics.com](http://www.zebronics.com)

Thank you for purchasing the **ZEB-MB20000R5** Power Bank. Please read this user manual carefully before operation and save it for future reference.

**Note :**

- Avoid the usage of this product at high-temperature and high-humidity environments.
- Avoid the self-disassembling of the product or it results in voiding the Product's warranty.
- Please charge the product with rated (DC 5V/3A, DC 9V/2A, DC 12V/1.5A) with Type C power Adapter and DC 5V/2A, DC 9V/2A, DC 12V/1.5A with Micro USB power adapter.

**Caution :**

There is a risk of explosion if the product is disposed of in the fire.

To know more about Terms and conditions for warranty policy, please visit

<https://zebrionics.com/pages/warranty-policy>

**Features :**

Dual USB Output

Rapid Charge

LED Percentage Display

Mobile/Tablet Compatible

PD 3.0 Type C Output

Type C Input

Over Charge Protection

Overload Protection  
20W Max. Output  
Short Circuit Protection  
Torch Light

### **Specifications :**

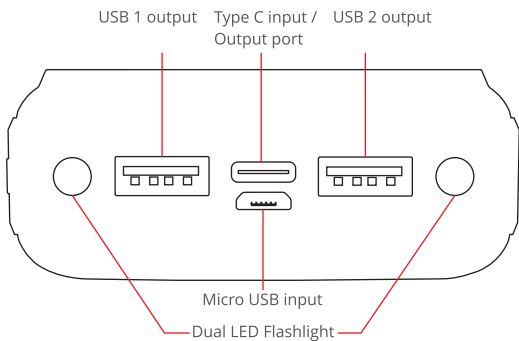
Battery capacity	: 20000mAh
TYPE C Input	: DC 5V/3A, DC 9V/2A, DC 12V/1.5A
Micro USB Input	: DC 5V/2A, 5V/3A, DC 9V/2A, DC 12V/1.5A Micro USB Input*
Output 1	: DC 5V/3A, DC 9V/2A, DC 12V/1.5A
Output 2	: DC 5V/3A, DC 9V/2A, DC 12V/1.5A
Output 3 (TYPE C)	: DC 5V/3A, DC 9V/2.22A, DC 12V/1.67A (20W max. output)
No.of Output port	: 2 USB + 1 Type C PD 3.0
Charging time	: approx. 5.3h (with 5V Type-C)
Product dimensions	: 6.9 x 13.9 x 2.8 cm (W x D x H)
Net. weight	: 405g

### **Package contents :**

Power bank	: 1 U
Charging cable	: 1 U
QR Code guide	: 1 U

\*with compatible devices

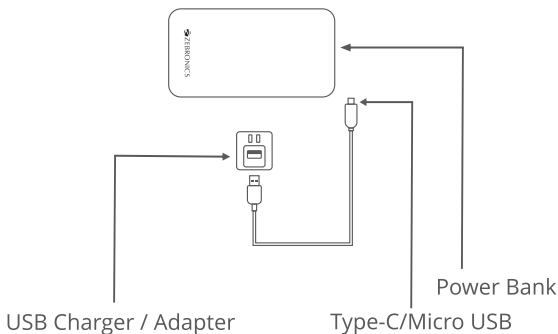
## Port description :



*Note: Press and hold the power button for turn on / off the LED Flashlight*

## General instructions

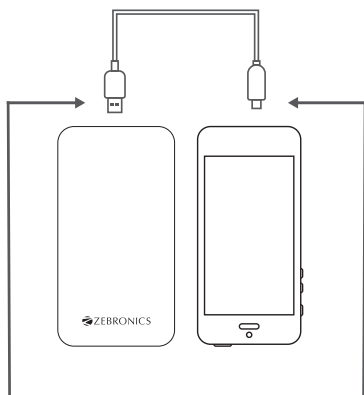
### Charging instructions :



Please charge the power Bank with rated (DC 5V/3A, DC 9V/2A, DC 12V/1.5A) with Type

C power Adapter and DC 5V/2A,5V/3A, DC 9V/2A, DC 12V/1.5A with Micro USB power adapter.

### **Charging your Device with the Power Bank:**



Output port 1/2

Device with  
Type-C / Micro USB  
Support

Connect your device with the Type C connector or Micro USB connector end of the cable and connect the other end of the cable to the power bank.

*Note:- Simultaneous Usage of the power bank output provides standard 5V DC output.*

**ISO 9001:2015 Certified Company**  
**[www.zebronics.com](http://www.zebronics.com)**

