



Power Bank
ZEBRONICS **MW61**



User Manual

www.zebronics.com

Thank you for purchasing the **ZEB-MW61** power bank. Please read this user manual carefully before operation and save it for future reference.

Note:

- Avoid the usage of this product in high-temperature and high-humidity environments.
- Avoid the self-disassembling of the product, as it will result in the failure of the warranty.
- Please charge the product with a rated power adapter.

Caution:

It may explode if disposed in the fire.

Features

22.5W Max. Output

15W Max. Wireless output

10000 mAh

Rapid Charge

LED Indicator

Type C Input & PD Output

USB Output

Short Circuit, Overcharge & Overload Protection

Slim & Compact design

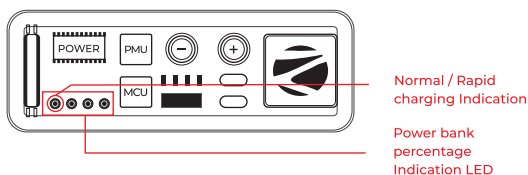
Specifications

Battery Capacity	: 10000mAh
TYPE C Input	: DC 5V/3A, 9V/2A Type-C Input
Output 1 (USB)	: DC 5V/4.5A, 9V/2A, 12V/1.5A
Output 2 (TYPE C)	: DC 5V/3A, 9V/2.22A, 12V/1.67A, 5~11V/2A PPS (22.5W Max. output)
Wireless Charging Output	: 15W max.
No.of Output ports	: 1 USB+1 Type C PD
Charging Time	: approx. 3.5h (with 5V Type-C)
Protections	: Short circuit Overload Overcharge
Product Dimension (W x D x H)	: 6.8 x 1.6 x 14.0 cm
Net Weight	: 240g

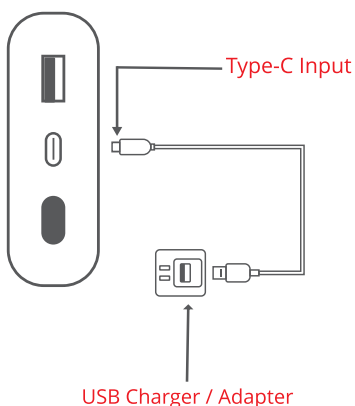
Package contents :

Power bank	: 1 U
Charging cable	: 1 U
QR Code guide	: 1 U

LED Indication:



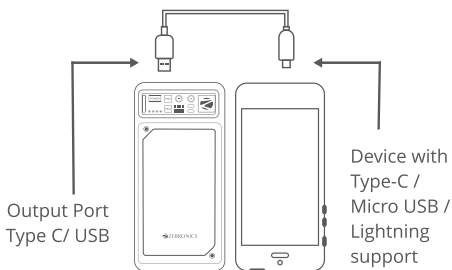
Charging instructions for Power Bank:



Connect the Type C end of the charging cable to the power bank and the USB end to the charger or adapter

Charging your Device with the Power Bank:

- Connect the Type C / microUSB / Lightning end of the charging cable to the device and the USB/Type C end to the output ports of the power bank.



Wireless Charging:

Place the device above the wireless charging pad in rear side of the power bank. Make sure that the mobile phone supports wireless charging. Check the below image



ISO 9001:2015 Certified Company
www.zebronics.com