

 ZEBRONICS

Power Bank
NEEN **MW64**



User Manual

www.zebronics.com

Thank you for purchasing **ZEB-MW64** power bank. Please read this user manual carefully before operation & save this user manual for future reference.

Note :

- Avoid the use of this product in high temperature and high-humidity environments.
- Please charge the product with power adapter rated (DC 5V/3A, 9V/2A, 12V/1.5A) for Type-C input port and (DC 5V/2A, 9V/2A, 12V/1.5A) for lightning input port.
- Avoid the self-disassembling of the product, as it will result in the failure of the warranty.
- To know more about Terms and conditions for warranty policy, please visit <https://zebronics.com/pages/warranty-policy>

Caution : May explode if disposed of in the fire.

Features :

- 22.5W Max. Output
- Rapid Charge
- LED Percentage Display
- Mobile/Tablet Compatible
- Type C Input & Output
- Over Charge Protection
- Overload Protection

Short Circuit Protection

Attached output cables

Lightning Input

Specifications:

Battery Capacity : 10000mAh

Lightning Input : DC 5V/2A, 9V/2A, 12V/1.5A

Type-C Input : DC 5V/3A, 9V/2A, 12V/1.5A

Output 1 (Type-C) : DC 5V/2.4A, 9V / 2.22A,
12V / 1.85A

Output 2

(TYPE C cable) : DC 4.5V/5A, 5V/3A,
9V/2.22A, 12V/1.85A

Output 3

(Lightning cable) : DC 5V/2A
(22.5W max. output)

No. of Outputs : 3

Charging Time : approx. 3.5h (with 5V Type-C)

Product Dimension

(W x D x H) : 6.3 x 2.4 x 8 cm

Package Dimension

(W x D x H)

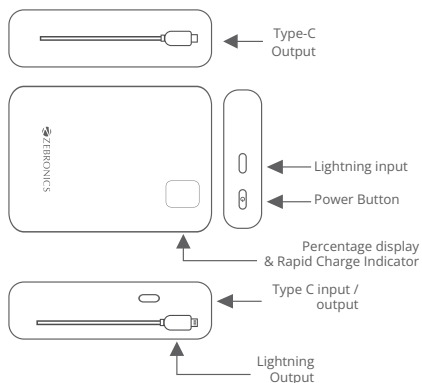
Net Weight : 190g

Package Contents

Power bank : 1 U

Charging Cable : 1 U

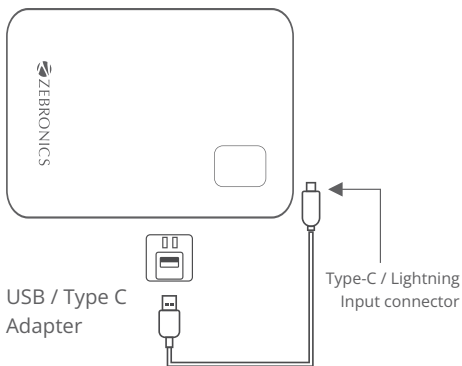
QR Code Guide : 1 U



Note: The above representation is for reference only, ports and button may vary in actual product but the function are common.

Charging the Power Bank:

- Plug into the Type C or lightning charging port of the power bank and connect the other end USB or Type C cable to the power adapter.



Charging your Device with the Power Bank:

- Connect your device to the detachable Type C / Lightning cable
- Use a dedicated Type-C, Lightning or Micro USB cable and connect the other end of the cable to the power bank output ports.

Note:

Simultaneous Usage of the power bank output provides standard 5V DC output

ISO 9001:2015 Certified Company

www.zebronics.com

