



Power Bank
ZEB MW66



User Manual

www.zebronics.com

Thank you for purchasing **ZEB-MW66** power bank. Please read this user manual carefully before operation & save this user manual for future reference.

Note:

- *Avoid the use of this product in high-temperature and high-humidity environments.*
- *Please charge the product with a rated power adapter.*
- *Avoid the self-disassembling of the product or it results in voiding the Product's warranty.*
- *To know more about Terms and conditions for warranty policy, please visit*

<https://zebronics.com/pages/warranty-policy>

Caution : *There is a risk of explosion if the product is disposed of in the fire.*

Features :

22.5W Max. Output

Rapid Charge

LED Percentage Display

Mobile/Tablet Compatible

Type C Input & Output

Over Charge Protection

Overload Protection

Short Circuit Protection

Compact Design With Carry Strap

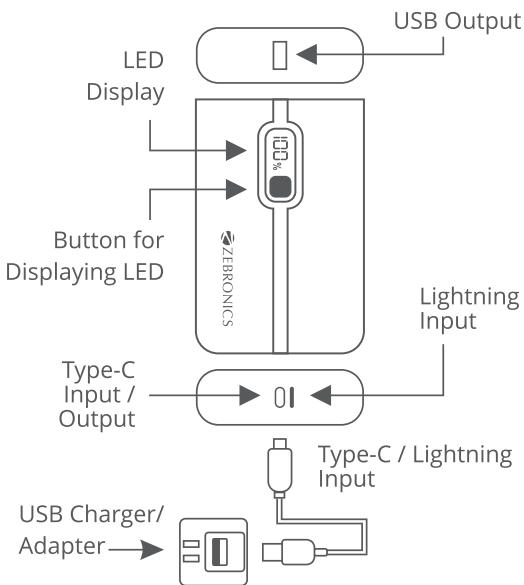
Specifications:

Battery Capacity	: 10000mAh
Type-C Input	: DC 5V/3A, 9V/2A, 12V/1.5A
Lightning Input	: DC 5V/2A, 9V/2A, 12V/1.5A
Output 1 (Type-C)	: DC 5V/2.4A, 9V/2.22A, 12V/1.67A, 5~11V/2A PPS
Output 2 (USB)	: DC 5V/4.5A, 9V/2A, 12V/1.5A (22.5W Max. Output)
No. of Outputs	: 1 USB + 1 Type C PD
Charging Time	: Approx. 2.5h (with Type-C)
Product Dimension (W x D x H)	: 6 x 2.5 x 8 cm
Net Weight	: 180g

Package Contents

Power Bank	: 1 U
Charging Cable	: 1 U
QR Code Guide	: 1 U

Product Representation :

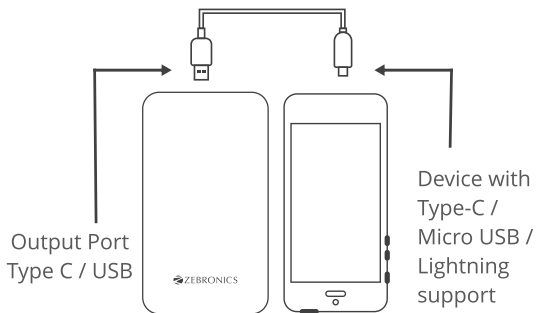


Charging the Power Bank :

- Connect the Type C / Lightning end of the charging cable to the power bank and the USB / Type-C end to the adapter.

Charging your Device with the Power Bank:

- Connect the Type C / Lightning / Micro USB end of the charging cable to the device and the USB/Type C cable end to respective output port of the power bank.



ISO 9001:2015 Certified Company
www.zebronics.com