



ZEBRONICS  
ALWAYS AHEAD

LED Projector

 **Pixa**  
**Play** **13**



**User Manual**

[www.zebronics.com](http://www.zebronics.com)

Dear Customer,

Thank you for purchasing the **ZEB-Pixaplay 13 LED Projector**. Please read the user manual carefully before usage & save it for future reference.

**Note:**

- *To provide a stable power supply, kindly use the cable provided with the product and connect to a DC 19V 2.5A power source.*
- *Avoid the self-disassembly of the product as it results in the failure of Warranty.*
- *Avoid looking directly at the projector lens while it is active.*
- *Make sure that the projector's air vents are not blocked while in use. The device must be kept in a well insulated surrounding for proper functioning.*
- *It is recommended to power OFF the projector after a continuous usage of 6 hours.*
- *Place the projector away from water or other liquids. Avoid water accumulation and ensure good ventilation.*
- *In case of enquiry regarding the projector, email us at [enquiry@zebronics.com](mailto:enquiry@zebronics.com) or contact us at 044 4000 0004.*

## Features :

- Home Theater Projectors for Movies, TV & Gaming etc.
- Projector comes with VGA, AV IN, AUX OUT, USB, HDMI
- Built in Speaker
- Remote Control

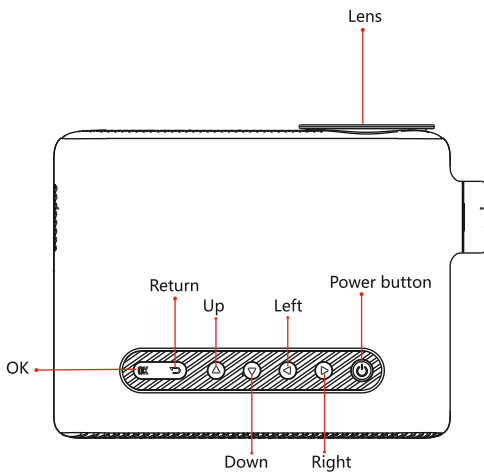
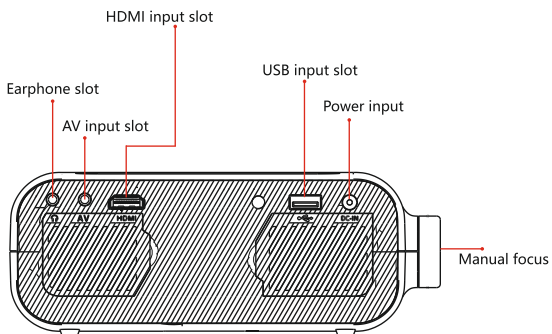
## Specification:

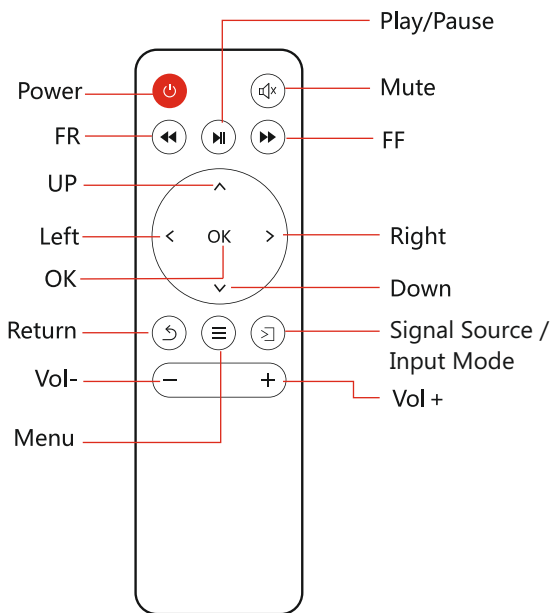
|                               |   |
|-------------------------------|---|
| Screen size                   | : 89-508cm  |
| Native Resolution             | : 1024 x 600P   |
| Max. Supported Resolution     | : 1920 x 1080P (Max)  |
| Display Technology            | : LED   |
| Lifespan                      | : 30,000H   |
| Brightness                    | : 2000 lumens   |
| Contrast ratio                | : 1000:1  |
| Projection Distance           | : 1.1m - 6m   |
| Port Interface                | : AV IN, AUX OUT, USB, HDMI   |
| Video file format             | : AVI, MP4, MPG, MPEG1, MPEG2, MKV, WMV, VOB, MOV, FLV, H.264, HEVC, DIVX |
| Input Voltage                 | : DC 19V 2.5A   |
| Product Dimension (W x D x H) | : 18 x 13 x 6.5 cm  |
| Net. weight                   | : 602g  |

## **Package Contents:**

|                 |      |
|-----------------|------|
| Projector       | :1 U |
| Remote Control  | :1 U |
| Power Adapter   | :1 U |
| AV cable        | :1 U |
| HDMI Cable      | :1 U |
| QR Code Guide   | :1 U |
| Cotton Swab set | :1 U |

# Product Description

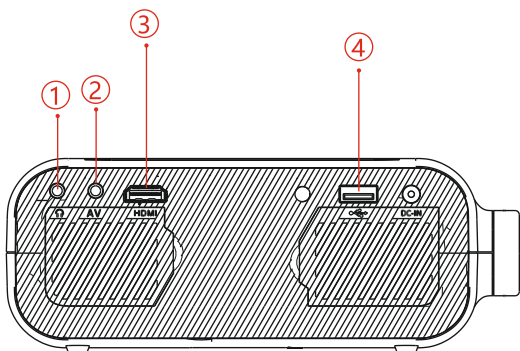




**\*NOTE:**

1. To avoid power shortage, please do not mixed use the old and new battery.
2. To avoid battery leakage corrosion, if do not use remote control for a long time, please take the battery out.

## Projector Interface



1



2



3

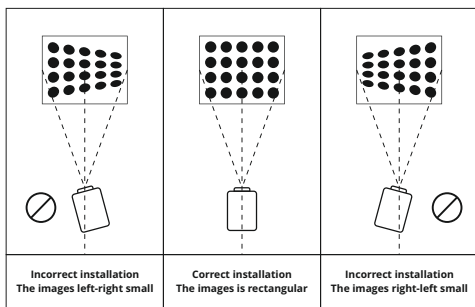


4

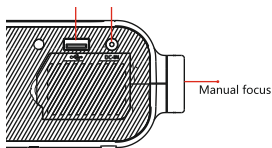


## Setting Up the Projector

1. Connect the power adapter to the projector and turn it ON, You'll be indicated with the Blue color LED near power button.
2. Before turning ON, make sure to place it in a flat surface for a proper projection then Press the power button / turn it on by using the remote.
3. Align the projector as shown in the image below to ensure proper projection.



## Focus Adjustment

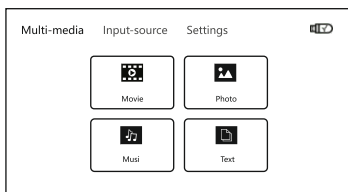
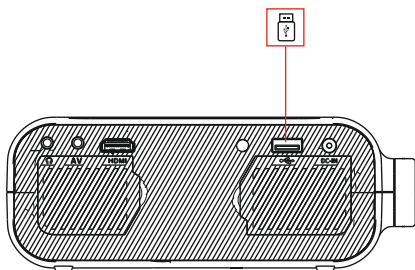


Once the projector turns ON, wait till it gets loaded. Only after a proper boot-up you'll be able to adjust the focus lens manually as shown in the image above.



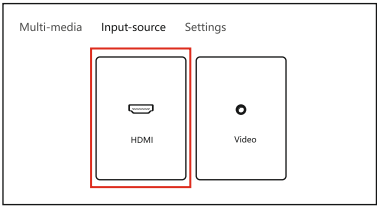
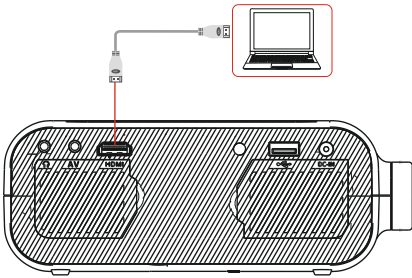
## USB Connections

Connect the USB Drive with the content to the projector. Select "Media" the content in the USB drive should be present inside the media (Images/Videos/Music).



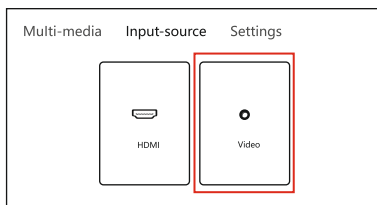
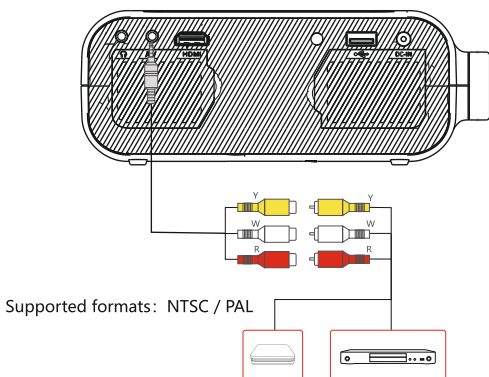
# HDMI Interface

Once the HDMI is connected to the projector, you will need to select the specific signal source as the input. After connected the content played from the source will be streamed on the projector.



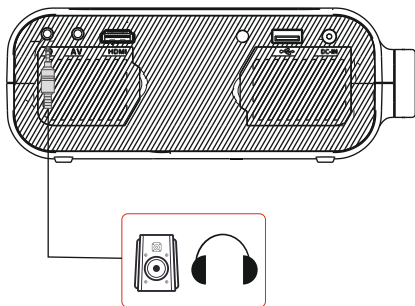
## AV Interface

Once the AV is connected to the projector, you will need to select the specific signal source as the input. After connected the content played from the source will be streamed on the projector.

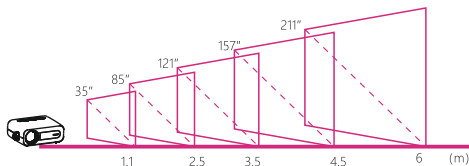


## Audio Interface

Once the Audio Device (Headphone / Speakers) is connected to the projector, it will automatically detect as the output device & start streaming from it.



## Projector Distance & Size



### **\*Note:**

*Because the optical device has about 3% error, the above data is for reference only, please install the projector according to the actual measurement.*

**ISO 9001:2015 Certified Company**

**[www.zebronics.com](http://www.zebronics.com)**