

 ZEBRONICS

Smart LED Projector
PixaPlay[®] 64



User Manual

www.zebronics.com

Dear Customer,

Thank you for purchasing the **ZEB-Pixaplay 64 Smart LED** Projector. Please read the user manual carefully before usage & save it for future reference.

Note :

- *To provide a stable power supply, kindly use the cable provided with the product and connect to a **(AC100V-240V)** power source.*

- *Avoid the self-disassembly of the product as it results in the failure of Warranty.*

- *Avoid looking directly at the projector lens while it is active.*

- *Make sure that the projector's air vents are not blocked while in use. The device must be kept in a well ventilated surrounding for proper functioning.*

- *It is recommended to power OFF the projector after a continuous usage of 6 hours.*

- *Place the projector away from water or other liquids. Avoid water accumulation and ensure good ventilation.*

- *In case of enquiry regarding the projector, email us at enquiry@zebronics.com or contact us at 044 40000004.*

Features :

- ◆ Home Theater Projectors for Movies, TV & Gaming etc..
- ◆ Built in Speaker
- ◆ Wide Compatibility
- ◆ 200° Tilt Mechanism
- ◆ Auto Keystone Adaptation *
- ◆ Remote Control
- ◆ Miracast
- ◆ IOS Screen mirroring
- ◆ Dual band Connectivity (2.4GHz & 5GHz)
- ◆ FHD 1080p (Native)
- ◆ APP Support
- ◆ 4K Support

**For vertical adjustment only.*

Specification :

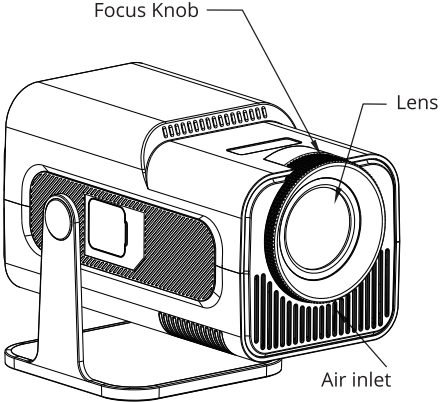
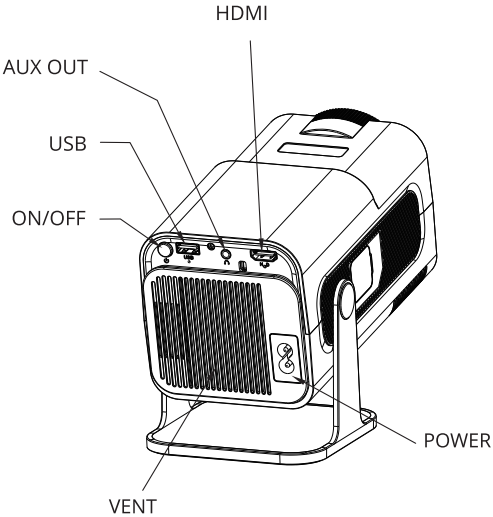
Screen size	: 76.2 - 381 cm
Native Resolution	: 1920 x 1080 FHD
Max. Supported Resolution	: 4K
Android Version	: 11.0
RAM	: 1 GB
Core Processor	: Quad Core Processor
Storage	: 8 GB
WI-Fi Connectivity	: Dual band Connectivity (2.4GHz & 5GHz)
Bluetooth Version	: v5.0

Lamp Lifespan	: 50,000h
Brightness	: 5800 Lumens
Contrast ratio	: 2000:1
Projection Distance	: 1-4m
Port Interface	: USB x 1, HDMI x 1, AUX OUT
Video file format	: HEVC, VP9, AVS, AVC, MPEG1, MPEG2. AV1
Input Voltage	: AC 100-240V/ 50-60HZ
Product Dimension (W x D x H)	: 10.5 x 18.5 x 14 cm
Net. weight	: 907Kg

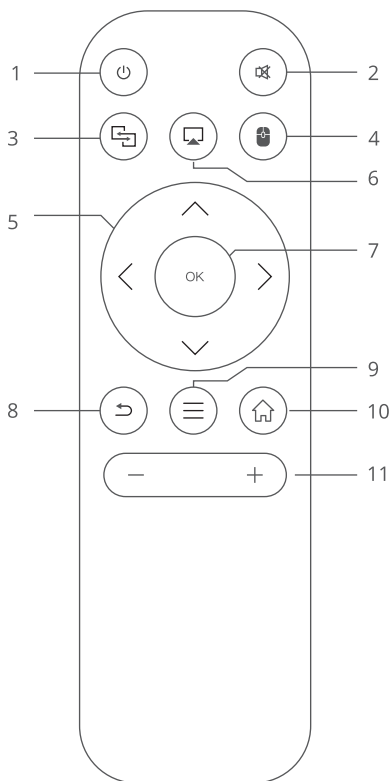
Package Contents:

Projector	: 1 U
Remote Control	: 1 U
Power cord	: 1 U
HDMI Cable	: 1 U
Cleaning set	: 1 U
QR Code Guide	: 1 U

Product Description :



Remote Control :



1. ON/OFF

2. MUTE

3. MIRACAST

4. SWITCH TO

MOUSE CONTROL

5. DIRECTIONS

6. AIRPIN

7. OK

8. RETURN

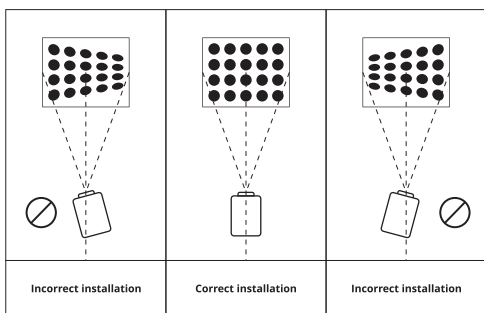
9. MENU

10. HOME

11. VOL+/-

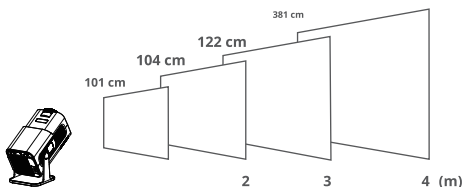
Setting Up the Projector :

1. Plug the Power cord into the projector's AC power input. Insert the other end of the power cord into a standard wall power socket. Ensure the wall socket is turned on to supply power.
2. Please place the projector on a flat surface to ensure proper projection. Now turn the projector On by pressing the power button either on the panel or on the remote.
3. The projector should be aligned straight to the screen / the place of projection .



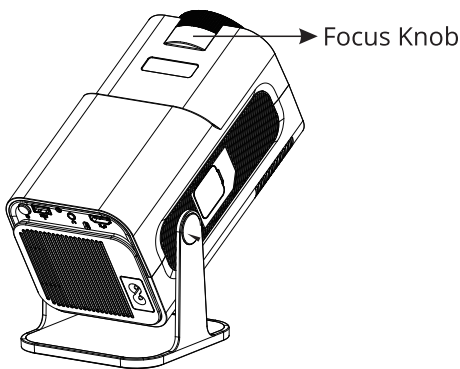
Projection Distance and Size :

The recommended projector screen size is 101 - 381 cm. For an improved viewing experience, it is recommended to use the projector in a room that provided as much darkness as possible.



Note: The above mentioned image is for indicative purpose alone while in actual product, the distance to screen size may vary from the values mentioned above.

Focus Adjustment :



Use the focus knob to adjust the focus of the projector.

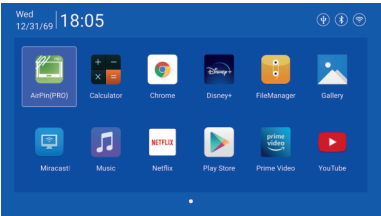
Note: Auto focus feature is not available, the product features only manual focus.

Keystone Adjustment :

The 4 point keystone can be adjusted in Projection settings.

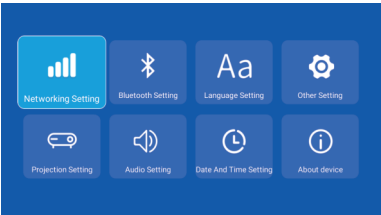
Android Home:

1. Once the projector is turned on, the projector will lead you to the home screen.
2. The home screen displays apps, Settings Menu, Network, Projector, General, My Device, Input.



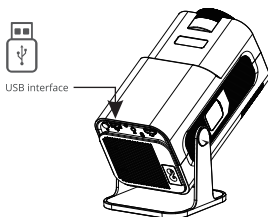
Settings :

Switch to homepage, open the settings main menu. This menu contains sub menu like Network, Projector, Display, Sound, Upgrade, Bluetooth, General and Info.



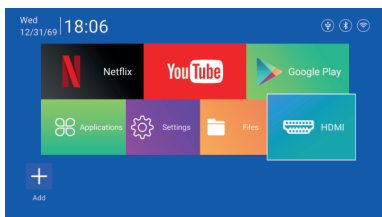
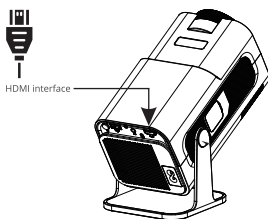
USB Connection :

Plug the USB to the port present at the rear side of the projector. Now navigate to the USB tab present in the homepage.



HDMI Connection :

Once the HDMI is connected to the projector, you will need to select the specific signal source as input. After connecting, the content played on the source will be streamed on the projector.



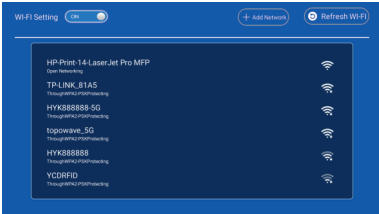
Bluetooth Settings :

1. Go to settings> Bluetooth settings.
2. Turn the Bluetooth Connection On and search for nearby bluetooth devices.
3. Choose the desired bluetooth device to pair and connect.



Network Settings :

1. Go to settings> Network settings.
2. WIFI setting, WIFI "ON",
3. select the Desired network and input password to connect to the network



ISO 9001:2015 Certified Company
www.zebronics.com