



7 in 1 Type C Multiport Adapter

ZEB **TA700**



User Manual

www.zebronics.com

Thank you for purchasing the **ZEB-TA700** is a 7 in 1 Type C Multiport Adapter. It is a multi-functional product and could provide 1 x USB3.0, 2 x USB2.0, 1 x mSD Card Slot, 1 x SD Card Slot, 1 x HDMI 2.0 and 1 x Type-C ports compatible for PC/Laptops with type-c port. Please read the user manual carefully before usage & save it for future reference.

Note: • *The USB connection is exclusively for data transfer.* • *Please be careful not to unplug the HUB during data transmission as this may cause us to lose data.*

Features

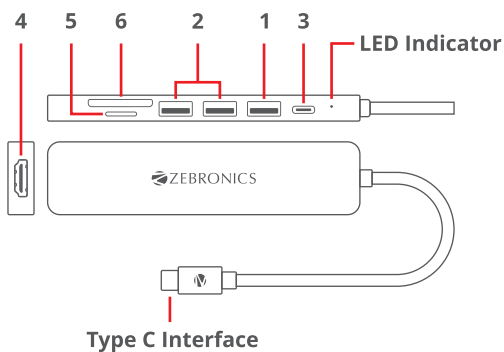
- Type C to 1 x USB 3.0 / 2 x USB 2.0 / SD / Micro SD / HDMI / Type-C (PD)
- Support PD Charging up to 100W
- HDMI 2.0 (4K @30Hz max.)
- Up-to 5Gbps USB 3.0
- Aluminum body
- 7 in 1 Design
- LED Indicator
- Lightweight design

Specifications

Connector	: Type C
Total No. of Ports	: 7
HDMI 2.0	: ver 2.0, 4K @ 30Hz (Max)
Type C PD	: DC 20V - 5A, 100W (Max)
USB Output	: DC 5V, 1.5A (Max)

Housing Material : Aluminum + ABS
Connector Cable length : 10.5 cm
Product Dimension : 12 x 2.8 x 1 cm
(W x D x H)
Net Weight : 45 g

Connectivity Representation:



S. No.	Port	Function
1	USB 3.0	Connect USB devices, transfer speed up to 5Gbps
2	USB 2.0	Connect USB devices
3	Type-C (PD)	DC 20V - 5A, 100W (Max.) Input
4	HDMI	Display output up to 4K @ 30Hz (v2.0)
5	mSD	Connect mSD Cards
6	SD	Connect SD Cards

ISO 9001:2015 Certified Company
www.zebronics.com