



3 in 1 Wireless Magnetic Charging Pad
MAGBOOST
ZEB



User
Manual

www.zebronics.com

Thank you for purchasing the **ZEB-MAGBOOST** 3 in 1 wireless charging pad. Please read this user manual carefully before operation and save it for future reference.

Note:

- *Avoid the use of this product at high-temperature and high-humidity environments.*
- *Avoid self-disassemble of product, or it will result in the failure of warranty.*

To know more about Terms and conditions for warranty policy, please visit

<https://zebronics.com/pages/warranty-policy>

Features:

3 in 1 Wireless Charging

Stylish and Portable Design

FOD Function

Fast Charge

MagSafe Compatible*

Over Heat Protection

Overcurrent Protection

Over Voltage Protection

Short Circuit Protection

1m Cable

For Smartphones / Earbuds / Smartwatches

**Recommended for compatible iPhone and Apple watch series*

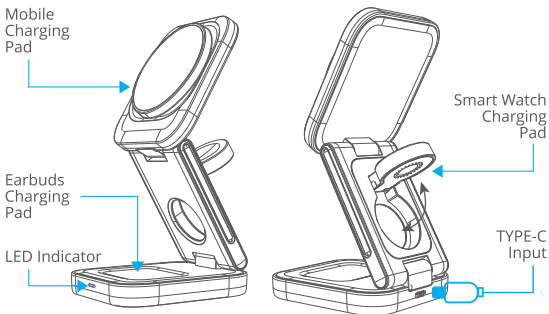
Specifications:

Input Interface	: Type-C
Input	: 5V/2A, 9V/2A
Output 1 (Smartphone)	: 5V/1A, DC 9V/1.67A (15W Max.)
Output 2 (Smart Watch)	: 5V/0.3A (1.5W Max.)
Output 3 (TWS)	: 5V/1A (5W Max.)
Charging Distance	: 6mm
Product Dimension (W x D x H)	
Folded	: 7 x 8 x 3.4 cm
Expanded	: 7 X 8 X 16 cm
Net Weight	: 121g

Package Contents :

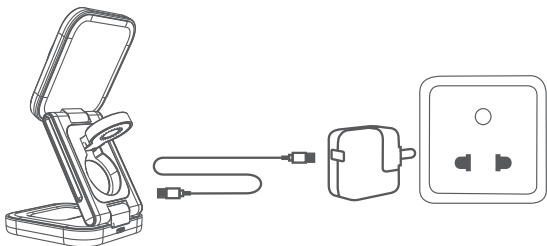
Charging Pad	: 1 U
Charging Cable	: 1 U
QR Code Guide	: 1 U

Product Description :

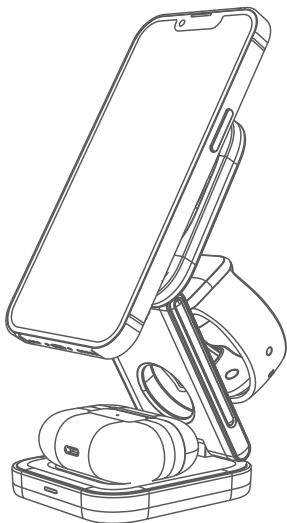


Instruction to Use:

- Connect the Charger to a 15W Adapter using the provided Type-C to Type-C cable



- Place device (Smartphone / Smart Watch / TWS) on Top of their Respective Charging pad.
(As shown below)



- A Blue LED will glow on standby mode.
- LED turns in Green When the device is charging.

Note:

- *Please make sure if your device (Smartphone / Smart Watch / TWS) has the wireless charging function.*
- *The MagSafe function will be compatible only the supported Iphone & Apple watch series.*

