



ZEBRONICS
ALWAYS AHEAD

Wireless Neckband Earphone

ZEB **YOGA** 3



User Manual

www.zebronics.com

Thank You for purchasing **ZEB-YOGA 3** Wireless neckband earphone. Please read this user manual carefully before operation & save it for future reference.

Note:

- Charge the wireless earphones fully before using it.
- Please charge the product with a power adapter output rated DC 5V.
- Do not self-disassemble the product or it will result in the failure of warranty.
- Make sure not to use this product at any high-temperature or high humidity environment.

Caution:

Listening at high volume can cause hearing impairment. Please limit your usage time at high volume.

Features

Wireless BT Earphone with Neckband

Volume / Media control

Metallic & Magnetic Earpieces

Flexible neckband

Voice assistant support

Built-In Rechargeable battery

Type C Charging

Environmental noise cancellation (ENC)

Flash charging (10 Min charge for 8h* Use)
35h* Playback
Gaming mode (Low latency)
Extra eartips
Dual pairing

Specifications

BT Version	: 5.0
Supported BT Profile	: HFP/SPP/AVRCP/A2DP
Drive size	: 14.2mm
Speaker impedance	: 32Ω
Playback time	: 35h*
Charging time	: 1h
Talk time	: 22h*
Standby time	: 200h
Net. weight	: 26.5g

Package contents

Neckband	: 1 U
Eartips	: 4 U
Charging cable	: 1 U
QR Code guide	: 1 U

** at 50% volume*

Usage Instruction:

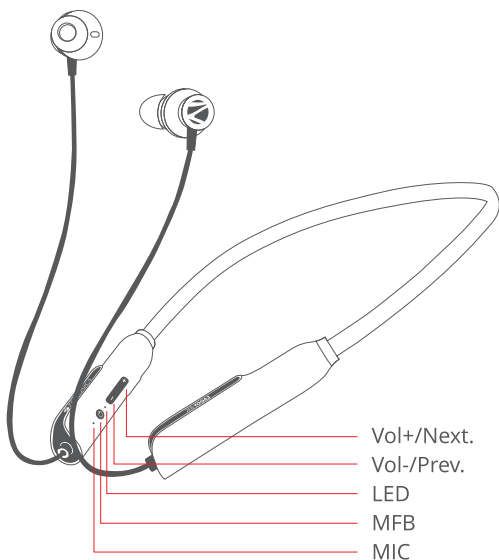
Bluetooth Pairing Instructions:

STEP 1 - Press and hold the MFB to power ON the earphones and to take them into pairing mode with Red & Blue LED blinking alternatively.

STEP 2 - Switch ON the Bluetooth in your mobile phone & search for the BT name **"ZEB-YOGA3"**

STEP 3 - Once the BT name is visible in your mobile phone, tap to connect it.

Product Representation



Button usage:

MFB Single short press: Play / Pause & Answer / End Call

MFB Double short press: Switch between Gaming mode / Music mode

MFB press for 3 sec: Wakes Voice assistant

MFB Long press: Call Reject

Short press +/- : Volume Up and Down

Long press +/- : Next / Previous

Activating Smart Phone's Voice Assistant:

When the neckband is connected to a mobile phone, Press and hold the MFB for 3 seconds to activate voice assistant.

***Note:** Smart phone should have an active internet connection to use the voice assistant function.*

Call function:

- Short press the MFB to attend or end the incoming call.
- Press and Hold the MFB for 2 seconds to reject the incoming call.
- Double press the MFB Switch between to Gaming mode / Music mode.

Charging Instruction:

Connect the Type-C Charging cable to the charging port of the Earphones & Connect the other end to the DC 5V Adapter.

LED Indication:

Charging indication: Red LED Glows

Full charge indication: LED Turns Off

BT Discover mode: Red & Blue LED Blinks rapidly till it gets paired

When connected to a Phone: Blue LED will blink once in an interval of 5 Sec

ISO 9001:2015 Certified Company

www.zebronics.com

