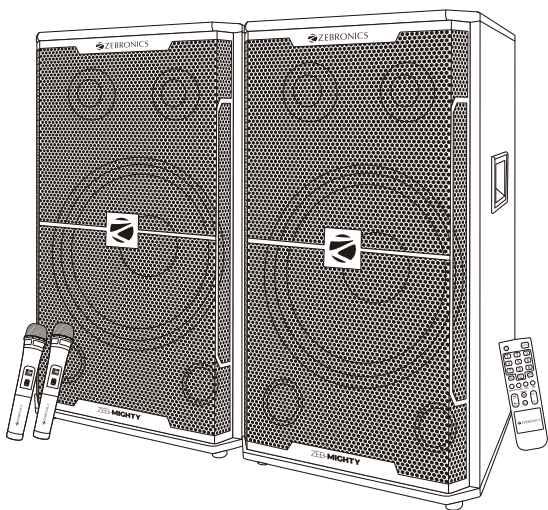


 ZEBRONICS

 2.0 DJ Speaker
MIGHTY



User Manual

www.zebronics.com

Thank you for purchasing **ZEB-MIGHTY** 2.0 DJ Speaker. Please read this user manual carefully before operation & save it for future reference.

Note:

- Avoid the usage of this product at the high temperature and high humidity environment.
- Avoid the self-disassembly of the products or it results in the voiding the product's Warranty.
- Turn off the speaker when the speaker is not in use.

To know more about Terms and conditions for warranty policy, please visit

<https://zebronics.com/pages/warranty-policy>

Features:

- BT v5.0 / USB x 2 / mSD / FM / AUX / MIC Input x 2
- Recording Function
- LED Display
- 30.48cm x 2 Full Range Speaker
- Remote Control
- Dual UHF Wireless MIC
- Mic. Volume, Echo, Bass & Treble Controls
- Karaoke
- 7 Band Equalizer
- MIC Priority

Specification:

Output Power (RMS) : 210W (105W + 105W)

Driver Size

Full Range : 30.48 cm x 2

Tweeter : 3.81 cm x 4

Impedance : 4Ω (Full Range)

Frequency Response : 40Hz-16KHz

S/N Ratio : ≥63dB

Separation : ≥40dB

File Format Support : MP3, WMA, FLV

Line Input : RCA to 3.5mm

Max. Supported USB/mSD

Memory Size : 64GB

FM Frequency Range : 87 MHz-108 MHz

BT Name : ZEB-MIGHTY

BT Version : v5.0

Product Dimension : 37 x 35.8 x 62.5cm

(W x D x H)

Net. Weight

(With Amplifier) : 15.2kg

(W/o Amplifier) : 12.2kg

Package Contents:

DJ Speaker : 2 U

Remote Control : 1 U

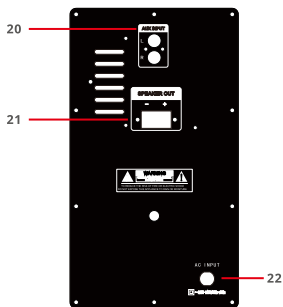
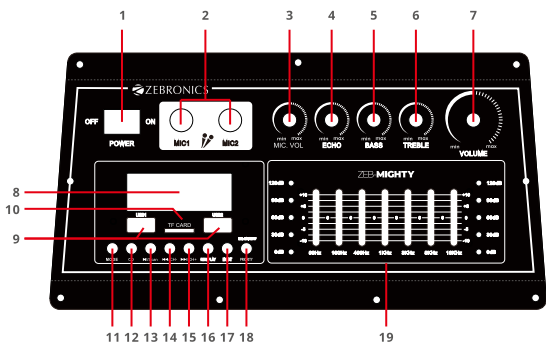
UHF Wireless Mic : 2 U

Input Cable : 1 U

Speaker Interconnect Cable : 1 U

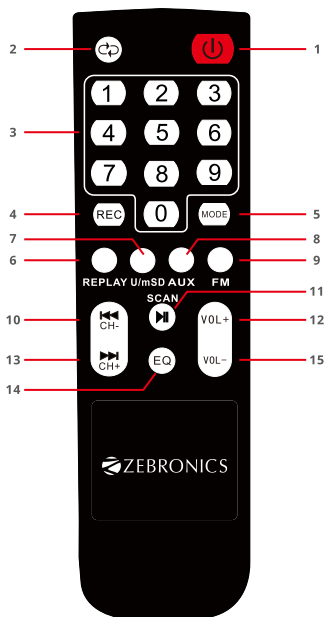
QR Code Guide : 1 U

Control Description



1. Power ON/OFF Switch
2. Dual Microphone Inputs
3. Microphone Volume Control
4. Echo Control Knob
5. BASS Control Knob
6. Treble Control Knob
7. Master Volume Control
8. LED Display
9. Dual USB Inputs
10. mSD Input
11. INPUT Mode Button
12. Repeat Button
13. PLAY / PAUSE / SCAN
14. Previous / Channel -
15. Next / Channel +
16. Record / Record Play
17. INST Button - This Button is used for muting vocals from the audio output which is played from the audio source.
18. (Equalizer ON/ OFF) / Microphone Priority
19. Equalizer Control Panel
20. AUX Input
21. Speaker Output
22. AC Input

Remote Control



1. Power ON/OFF Control Button
2. Repeat Control Button
3. 0-9 Number Control Button to Selecting MP3 Song
4. Record Button
5. INPUT Mode Button
6. MIC Recording Playback Button
7. USB/mSD Control Button
8. AUX Control Button
9. FM Control Button
10. Previous Channel (-)
11. Scan Button
12. Volume+ Button
13. Next Channel (+)
14. Equalizer Button
15. Volume- Button

General Instructions

BT connectivity

- Switch the source to BT mode
- Turn on BT on your mobile and scan for nearby BT devices.
- Tap on **“ZEB-MIGHTY”** to connect.

USB/SD Mode

- Insert the USB/mSD card into the slot provided on the speaker
- The speaker will automatically detect the USB/mSD card and the supported audio content will be played from it.

***Note:** This mode isn't selectable on the speaker or remote control unless a USB/mSD flash card is connected*

FM Radio

- Switch the speaker to FM mode
- Long press the Play/Pause button to scan the available FM channels.
- Once the scanning is done, the first scanned channel will start playing.
- The audio from the source can be heard through the speaker.

AUX-In

- The speaker can be connected to another speaker using a RCA to 3.5mm cable.
- Connect one end of the cable to a speaker and the other end to another speaker.
- The audio can be heard through both the speaker.

Recording Function

- First plug-in a USB/mSD flash card which will act as a storage device into the slot provided on the speaker.
- Press the **REC** button on the remote to start the recording.
- Press the **REC** button again to stop the recording.
- Press the **REPLAY** button to play the recorded file.

ISO 9001:2015 Certified Company

www.zebronics.com

