

# ZEBRONICS

2.0 DJ Speaker

ZEB **VOX** *Pro*



## User Manual

[www.zebronics.com](http://www.zebronics.com)

Thank you for purchasing **ZEB-VOX PRO** 2.0 DJ Speaker. Please read the user manual carefully before usage & save it for future reference.

**Note:**

- *Avoid the usage of this product at the high temperature and high humidity environment.*
- *Avoid the self-disassembly of the product or it results in the failure of Warranty.*
- *To know more about Terms and conditions for warranty policy, please visit:*

<https://zebronics.com/pages/warranty-policy>

**Features**

- BT v5.3 | USB | SD | FM | AUX | Optical | Coaxial | Mic Input x 2
- Recording Function
- LED Display
- 2 Way Speaker
- Remote Control
- Dual UHF Wireless Mic
- Volume, Bass, Mid & Treble Controls
- Karaoke
- Mic Volume & Echo Controls
- LED Lights
- Carry Handle

**Specification**

Output Power (RMS) : 440W

Driver Size

Full Range : 30.48cm x 4

Tweeter : 7.62cm x 2

Tweeter : 2.54 cm x 2

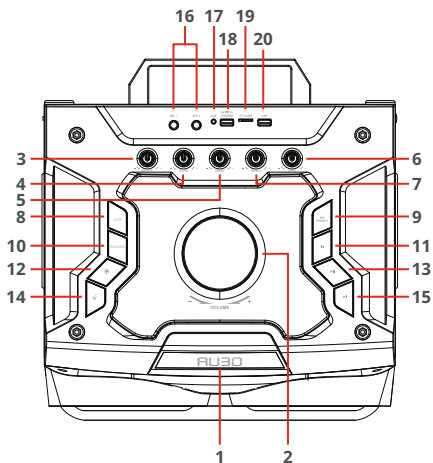
Impedance		
Full Range	:	6Ω
Tweeter	:	3Ω
Tweeter	:	7-10 Ω
Frequency Response	:	50Hz-20khz
S/N Ratio	:	≥60dB
Separation	:	≥ 40dB
File Format Support	:	MP3, WMA (USB/SD)
Line Input	:	3.5mm
Max. Supported		
Memory Size	:	32GB (USB/SD)
FM Frequency		
Scan Range	:	87.5MHz - 108MHz
BT Name	:	ZEB-VOX PRO
BT Version	:	5.3
Product Dimension	:	39 x 35 x 120 cm (W x D x H)
Net. Weight		
With Amplifier	:	25.5 kg
W/o Amplifier	:	22 kg

### **Package content**

DJ Speaker	:	2 U
Remote	:	1 U
Input Cable	:	1 U
Wireless Mic	:	2 U
Speaker Interconnect		
Cable	:	1 U
Connector Cable		
for Lights	:	1 U
Power Cord	:	1 U
QR Code Guide	:	1 U

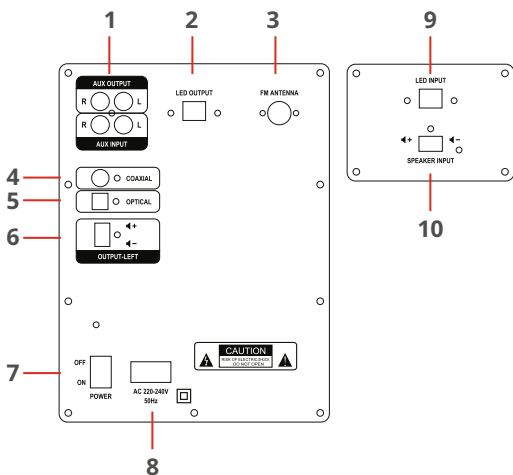
## Product Description:

### Control Panel



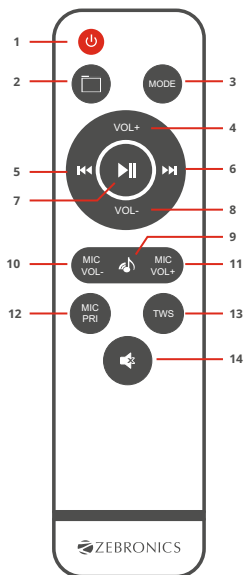
1. LED Display
2. Volume Control
3. Mic Volume Knob
4. Mic Echo Control Knob
5. Midrange Control Knob
6. Bass Control Knob
7. Treble Control Knob
8. Power / Mode
9. Mic Priority
10. Record
11. Previous Track
12. LED Control
13. Play / Pause
14. Karaoke ON/OFF
15. Next Track
16. Mic Inputs
17. AUX Input
18. USB Output
19. mSD Input
20. USB Input

## Back Panel



1. Left/Right AUX Output  
Left/Right AUX input
2. LED Output
3. FM Antenna
4. Coaxial Input
5. Optical Input
6. Output Left +/-
7. POWER OFF/ON
8. AC Power Cord
9. LED Input
10. Speaker Input +/-

## Remote Control



1. Power Button
2. Folder Button (Only works on USB/mSD mode)
3. Mode Button
4. Volume Increase
5. Previous (Channel -)
6. Next (Channel +)
7. Play / Pause
8. Volume Decrease
9. Karaoke Button
10. Mic Volume -
11. Mic Volume +
12. Microphone Priority
13. TWS
14. Mute

## General Instructions

### BT Connectivity

- Switch the source to BT mode.
- Turn on BT on your mobile and scan for nearby BT devices.
- Tap on "**ZEB-VOX PRO**" to connect.

### USB/SD Mode

- Insert the USB/SD card into the slot provided on the speaker.
- The speaker will automatically detect the USB/SD card and the supported audio content will be played from it.

*Note: This mode isn't selectable on the speaker or remote control unless a USB/SD flash card is connected.*

### FM Radio

- Switch the speaker to FM mode
- Long press the Play/Pause button to scan the available FM channels.
- Once the scanning is done, the first scanned channel will start playing.

### AUX-In

- The speaker can be connected to an audio source using a 3.5 to 3.5mm cable.
- Connect one end of the cable to the AUX-In port on the speaker and the other end an audio source.
- The audio from the source can be Played through the speaker.

## **Optical In**

- Connect the optical cable to the optical digital output of your Source.
- Then connect the optical cable to the optical digital input of your Speaker.
- Switch the Source device and Speaker ON. Set the connected Source to "PCM Stereo" or "Stereo 2.0".
- Start playing on the Source device.
- Press the "MODE" button on the remote control to select this mode.
- You can use the volume buttons to adjust the volume to your requirements.
- In this mode, playback can only be controlled on your Source device.

## **Coaxial In**

- Connect the Coaxial cable to the output of your Source.
- Then connect the Coaxial cable to the Coaxial digital input of your Speaker.
- Switch the Source device and Speaker ON. Set the connected Source to "PCM Stereo" or "Stereo 2.0".
- Start playing on the Source device.
- Press the "MODE" button on the remote control to select this mode.
- You can use the volume buttons to adjust the volume to your requirements.
- In this mode, playback can only be controlled on your Source device.



## **Recording Function**

- First plug-in a USB/SD flash card which will act as a storage device into the slot provided on the speaker.
- Press the REC. button on the remote to start the recording.
- Press the REC. button again to stop the recording.
- Double Press the REC button to play the recorded file.

## **Karaoke Function**

- Press the Karaoke button to switch ON/OFF the Karaoke function.
- Enjoy the Karaoke function with the Dual wireless Mic provided with the Speaker.

