



ZEBRONICS  
ALWAYS AHEAD

2.1 Speaker

ZEB KOTO



User Manual

[www.zebronics.com](http://www.zebronics.com)

## Dear Customer,

Thank you for purchasing the ZEB-KOTO 2.1 Speaker. Please read the user manual carefully before usage & save it for future reference.

### Note:

- Avoid the usage of this speaker at the high temperature and high humidity environment.
- Avoid the self-disassembly of the product as it results in the failure of Warranty.

### Features

2.1 Channel speaker

Wireless BT/USB/SD/FM/AUX

LED display

16.51 cm Subwoofer

Volume, Bass & Treble adjustment

Stylish design

Remote control

### Specification

Output power (RMS)

Subwoofer : 50 Watts

Satellite : 10 Watts x 2

Total : 70 Watts

Driver size

Subwoofer : 16.51 cm x 1

Satellite : 7.62 cm x 2

Impedance

Subwoofer : 8Ω

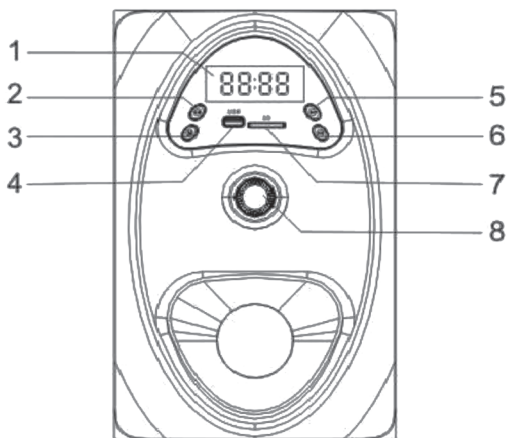
Satellite : 4Ω

Frequency response	: 35Hz-20kHz
S/N Ratio	: $\geq 68$ dB
Separation	: $\geq 45$ dB
File format support (USB/SD)	: MP3/WMA
Line input	: 2ch RCA
Max. supported USB / SD memory size	: 32GB
FM frequency range	: 87.5MHz - 108MHz
BT name	: ZEB-KOTO
BT version	: 4.2 + EDR
Product dimension (W x D x H)	
Subwoofer	: 200 x 350 x 325 mm
Satellite	: 110 x 102 x 317 mm
Net. weight	
Subwoofer	: 5.2 kg
Satellite	: 812g x 2
Total	: 6.82 kg

### **Package content**

Subwoofer	: 1 U
Satellite	: 2 U
Input cable	: 1 U
Remote	: 1 U
QR Code Guide	: 1 U

## Description of the Subwoofer control panel:



1. LED Display
2. Play / Pause
3. Mode
4. USB Port
5. Previous track / FM Channel
6. Next track / FM Channel
7. SD / MMC Port
8. Volume / Bass & Treble adjustment

## **Instructions for Use:**

### **Button functions**

1. Press the “M” button to change the input mode (BT/USB/SD/FM/AUX) of the speaker.
2. Press the “Next/Prev” button to change the Prev/ Next track or channel when in BT/USB mode or FM mode respectively.
3. Press the “Play/Pause” button to Play/Pause the track being played.

### **General Instructions**

#### **BT Mode:**

Power ON the speaker, press “Mode” button to switch to BT Mode. Switch ON BT on your phone or tablet and search for nearby BT devices, Search for the BT name “ZEB-KOTO” and tap to connect it.

#### **USB / SD Mode:**

The speaker automatically switches to USB / SD input mode with the LED display when a USB /SD flash drive is inserted (this mode is n't selectable on the speaker or remote control unless a USB / SD flash drive is connected).

Ensure that your USB / SD flash drive contains Mp3 / WMA audio files (other file types not supported).

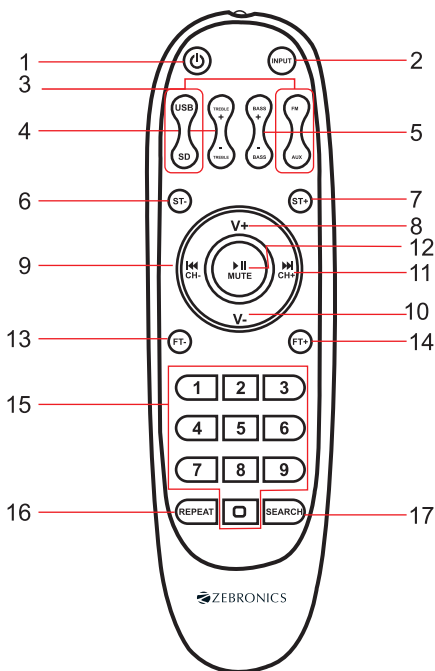
## **FM Radio:**

Switch the speaker to FM mode. In FM mode, use the Play/Pause button in the subwoofer control panel or remote to scan for the available FM channels. Once the scanning is done, the scanned channels will begin to play. The next button or previous button in the subwoofer control panel or remote can be used to change the FM channels

## **AUX-IN:**

The speaker can be connected to an audio device using an RCA to 3.5mm cable. Connect the one end of the cable to the speaker and the other end to an audio source. The songs from the audio source can be heard through the speaker

## Remote Control Description



1. STANDBY : Turn On / Off the Speaker
2. Input : Input mode switching  
(BT / USB / SD / FM / AUX)
3. USB/SD/FM/AUX Input mode
4. TREBLE (-/+ ) : To Decrease/Increase treble level

5. BASS (-/+): To Decrease / Increase the Bass level
6. ST (-): To Previous FM Station
7. ST (+): To Next FM Station
8. VOL (+) To increase the Volume
9. Prev Track : To change the Prev track or channel when in BT/USB mode or FM mode respectively
10. VOL (-) To Decrease the Volume
11. Next Track : To change the Next track or channel when in BT/USB mode or FM mode respectively
12. PL/PA/MUTE : To Play / Pause track or to Mute the Sound
13. FT (-) : FM Tuning Decreases
14. FT (+) : FM Tuning increases
15. 0-9 : To choose the track in USB / SD Mode
16. REPEAT FUNCTION  
ONE : Repeat current track  
ALL : Repeat all track
17. SEARCH : FM Station Auto Scan only

