



ZEBRONICS
ALWAYS AHEAD

4.1 Speaker ZEBRONICS **BRONZE100**



User Manual

www.zebronics.com

Dear Customer,

Thank you for purchasing the **ZEB-BRONZE 100** 4.1 Speaker. Please read the user manual carefully before usage & save it for future reference.

Note:

- Avoid the usage of this speaker at the high temperature and high humidity environment.
- Avoid the self-disassembly of the product as it results in voiding the Product's Warranty.
- Please turn off the power and unplug the device, when the speaker is not in use.

Features

4.1 Channel Speaker

BTv5.0 / USB / FM / AUX / SD

LED Display

LED Lights

Remote Control

12.7cm Subwoofer Drive

Volume Control

Specifications

Output Power (RMS)

Subwoofer : 24W

Satellites : 12W x 4

Total : 72W

Driver Size

Subwoofer :12.7 cm

Satellites : 7.62 cm x 4

Impedance

Subwoofer : 4Ω

Satellite : 4Ω

Frequency response : 40Hz-20kHz

S/N Ratio : ≥72dB

Separation : ≥45dB

File format

support (USB/SD) : MP3

Line input : 2ch RCA

Max. supported

memory size (USB/SD) : 32GB

FM frequency range : 87.5 MHz - 108 MHz

BT name : ZEB-BRONZE 100_4.1

BT Range : 10 Meters

BT version : v5.0

Product dimension (W x D x H)

Subwoofer : 16.5 x 27.7 x 26.7 cm

Satellite : 9.5 x 8.9 x 15.3 cm

Net. weight

Subwoofer : 2.3 Kg

Satellite : 450 g x 4

Total : 4.1 Kg

Package Content

Subwoofer : 1 U

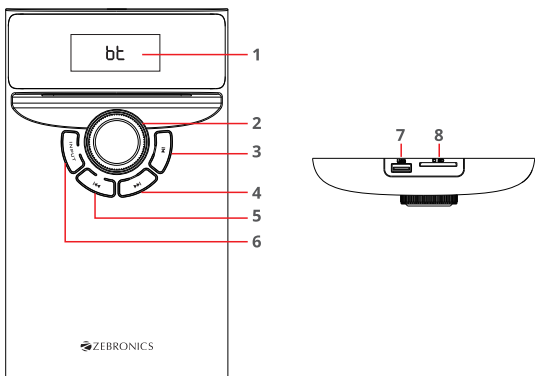
Satellite : 4 U

Remote : 1 U

Input Cable : 1 U

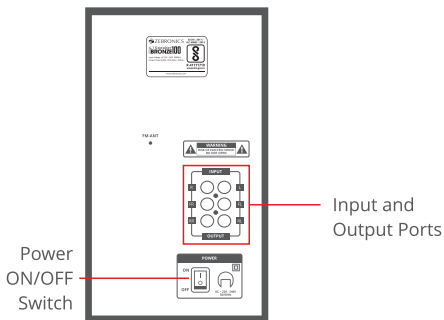
QR Code Guide : 1 U

Control Description

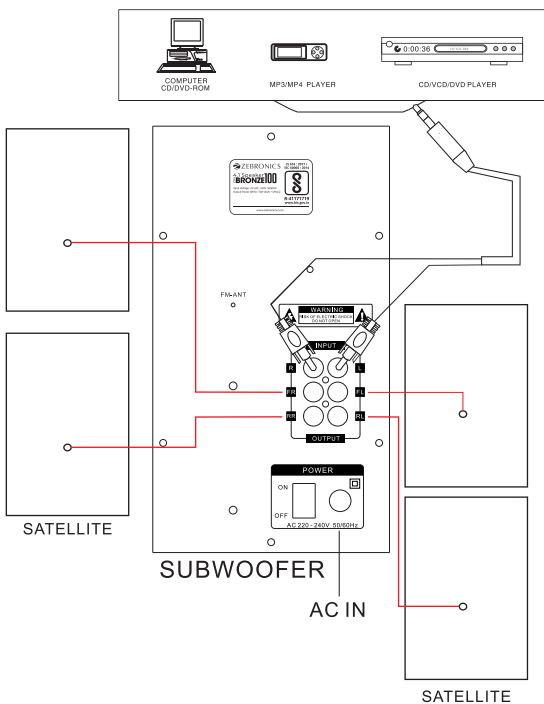


1. LED DISPLAY
2. VOLUME CONTROL
3. PLAY / PAUSE / SCAN
4. NEXT / VOLUME+ / FM CHANNEL+
5. PREV / VOLUME- / FM CHANNEL-
6. INPUT MODE
7. USB PORT
8. SD CARD SLOT

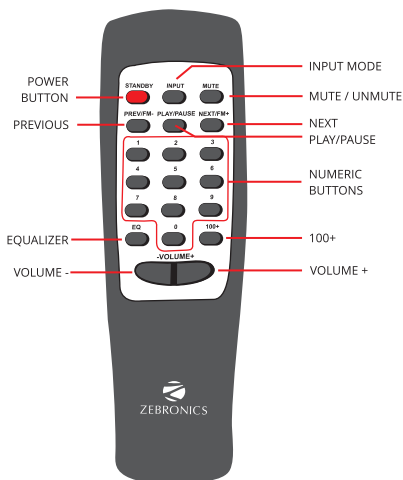
Back Panel



Satellite / Input and Output Connection



Remote Control



Power : standby ON/OFF

Numeric Pad (0-9) : To select direct tracks from SD Card / USB drive and select two digits by consecutively pressing

Vol+ : To increase the volume

Prev : To select the previous tracks in BT/USB/SD or channels in FM mode

Vol- : To decrease the volume

100+ : To select tracks when more than 100 tracks present in USB / SD Card

Mode : Mode Selection (BT/AUX/USB/SD/FM)

EQ : Equalizer

Play/Pause : To Play / Pause for current track, Long Press to scan all available FM channels in FM mode

Next : To select the next tracks in BT/USB/SD or channels in FM mode

Mute To Mute / Unmute for currently playing track

Instructions for Use:

Button functions

1. Press the **“Input”** button to change the input mode (BT/USB/SD/FM/AUX) of the speaker.
2. Short press the **“Next/Prev”** button to change the Prev/ Next track or channel when in BT/USB/SD mode or FM mode respectively.
3. Long press the **“Next/Prev”** button to increase/decrease the speaker volume.
4. Short press the **“PLAY”** button to Play/Pause the track being played or Mute/Unmute when in BT/USB/SD mode or FM/AUX mode respectively.
5. Press and Hold the **“PLAY”** button to Scan for the available FM channels.

General Instructions

BT Mode:

Power ON the speaker, press **“Mode”** button to switch to BT Mode. Switch ON BT on your phone or tablet and search for nearby BT devices, Search for the BT name **“ZEB-BRONZE 100_4.1”** and tap to connect it.

USB/SD Mode:

The speaker automatically switches to USB/SD input mode with the LED display when a USB flash drive/SD Card is inserted (this mode isn't selectable on the speaker or remote control unless a USB/SD flash drive is connected).

FM radio:

Switch the speaker to FM mode. In FM mode, use the **PLAY** button in the subwoofer control panel or remote to scan for the available FM channels. Once the scanning is done, the scanned channels will begin to play.

AUX-IN:

Switch the speaker to AUX mode. The speaker can be connected to an audio device using an RCA to 3.5mm. Connect the one end of the cable to the speaker and the other end to an audio source. The songs from the audio source can be heard through the speaker.

