



ZEBRONICS
ALWAYS AHEAD

4.1 Speaker ZEB BT2717RUCF



User Manual

www.zebronics.com

Dear Customer,

Thank you for purchasing the **ZEB-BT2717RUF** 4.1 Speaker. Please read the user manual carefully before usage & save it for future reference.

Note:

- Avoid the usage of this speaker at the high temperature and high humidity environment.
- Avoid the self-disassembly of the product as it results in the failure of Warranty.
- Please turn off the power and pull out the plug, when the speaker is not in use.

Features

4.1 channel speaker

Wireless BT/USB/mSD/AUX/FM

LED Display

Remote control

LED Power indicator

Volume and bass control

Specifications

Output power (RMS)

Subwoofer : 15W

Satellite : 10W x 4

Total : 55W

Driver size

Subwoofer : 10.16 cm

Satellite : 7.62 cm x 4

Impedance	
Subwoofer	: 8Ω
Satellite	: 8Ω
Frequency response	: 40Hz - 20kHz
S/N Ratio	: ≥80dB
Separation	: ≥45dB
File format	
support (USB/mSD)	: MP3
Line input	: 2ch RCA
Max. supported	
memory size (USB)	: 32GB
FM frequency range	: 87 MHz-108 MHz
BT name	: Zebronics
BT version	: 5.1
Product dimension (W x D x H)	
Subwoofer	: 150 x 287 x 205 mm
Satellite	: 96 x 90 x 135 mm
Net. weight	
Subwoofer	: 1.4 Kg
Satellite	: 290 g
Total	: 2.56 Kg

Package Content

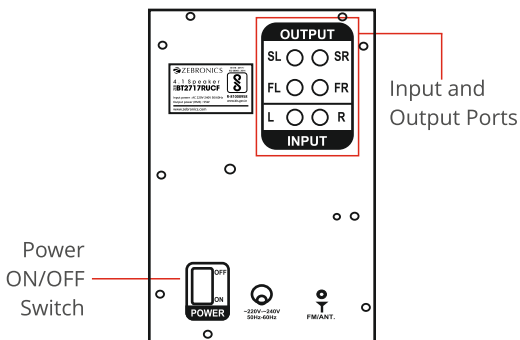
Subwoofer	: 1 U
Satellite	: 4 U
Remote	: 1 U
Input Cable	: 1 U
QR Code Guide	: 1 U

Control Description

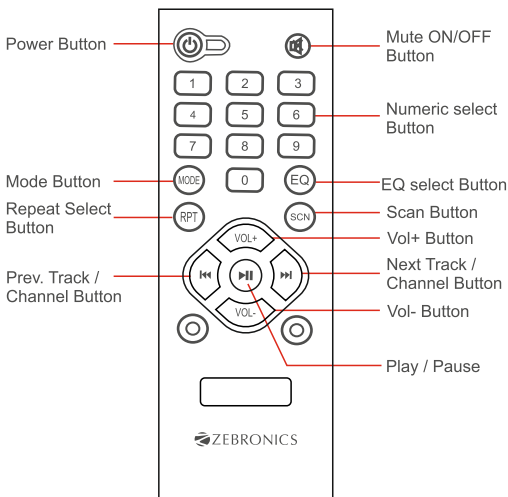


1. BASS CONTROL
2. VOLUME CONTROL
3. USB PORT
4. MICRO SD PORT
5. MODE
6. SCAN/PLAY/PAUSE
7. PREV.
8. NEXT
9. AUX

Back Panel



Remote control



Instructions for Use:

Button functions

1. Press the **“Input”** button to change the input mode (BT/ USB/ FM/AUX) of the speaker.
2. Short press the **“Next/Prev”** button to change the Prev/ Next track or channel when in BT/USB mode or FM mode respectively.
3. Long press the **“Next/Prev”** button to increase/decrease the speaker volume.
4. Short press the **“PP/SCAN”** button to Play/Pause the track being played or Mute/Unmute when in BT/USB mode or FM/AUX mode respectively.
5. Press and Hold the **“PP/SCAN”** button to Scan for the available FM channels.

General Instructions

BT Mode:

Power ON the speaker, press **“Input”** button to switch to BT Mode. Switch ON BT on your phone or tablet and search for nearby BT devices, Search for the BT name **“Zebronics”** and tap to connect it.

USB Mode:

The speaker automatically switches to USB input mode with the LED display when a USB flash drive is inserted (this mode isn't selectable on the speaker or remote control unless a USB flash drive is connected).

FM radio:

Switch the speaker to FM mode. In FM mode, use the **PP/SCAN** button in the subwoofer control panel or remote to scan for the available FM channels. Once the scanning is done, the scanned channels will begin to play.

AUX-IN:

Switch the speaker to AUX mode. The speaker can be connected to an audio device using an RCA to 3.5mm. Connect the one end of the cable to the speaker and the other end to an audio source. The songs from the audio source can be heard through the speaker.

