



ZEB 4.1 Speaker  
**HOPE 4**



## User Manual

[www.zebronics.com](http://www.zebronics.com)

Dear Customer,

Thank you for purchasing the **ZEB-HOPE 4** 4.1 Speaker. Please read the user manual carefully before usage & save it for future reference.

**Note:**

- Avoid the usage of this speaker at the high temperature and high humidity environment.
- Avoid the self-disassembly of the product as it results voiding the Product's Warranty.
- Please turn off the power and pull out the plug, when the speaker is not in use.

**Features**

4.1 channel speaker

Wireless BT v5.0 / USB / SD / FM / AUX

LED Display

13.3cm Subwoofer

Remote control

Volume, Treble & Bass Adjustment

**Specifications**

Output power (RMS)

Subwoofer : 30W

Satellite : 15W x 4

Total : 90W

Driver size

Subwoofer : 13.33 cm

Satellite : 7.62 cm x 4

## Impedance

Subwoofer : 4Ω

Satellite : 4Ω

Frequency response : 30Hz - 20kHz

S/N Ratio : ≥72dB

Separation : ≥45dB

## File format

support (USB/SD) : MP3

Line input : 2ch RCA

## Max. supported

memory size : 32GB (USB/SD)

FM frequency range : 87 MHz-108 MHz

BT name : ZEB-HOPE 4

BT version : 5.0

## Product dimension (W x D x H)

Subwoofer : 17.5 x 32.3 x 27.7 cm

Satellite : 10.5 x 12.25 x 17.6 cm

## Net. weight

Subwoofer : 3.7 Kg

Satellite : 520 g x 4

Total : 5.78 Kg

## Package Content

Subwoofer : 1 U

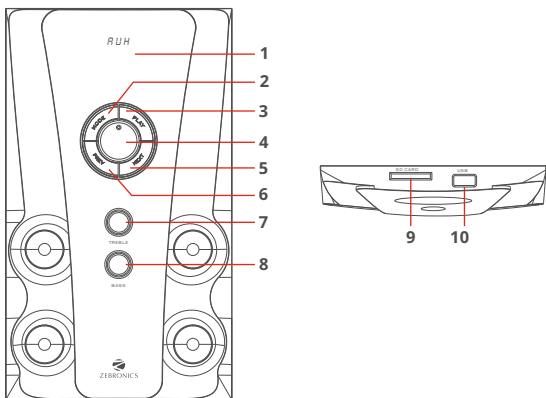
Satellite : 4 U

Remote : 1 U

Input cable : 1 U

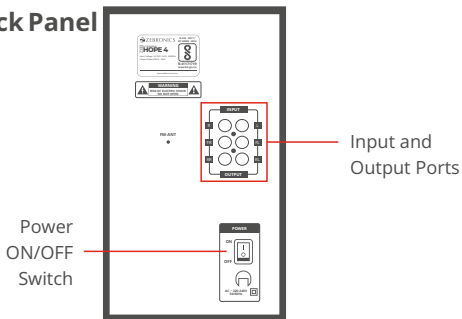
QR Code Guide : 1 U

## Control Description

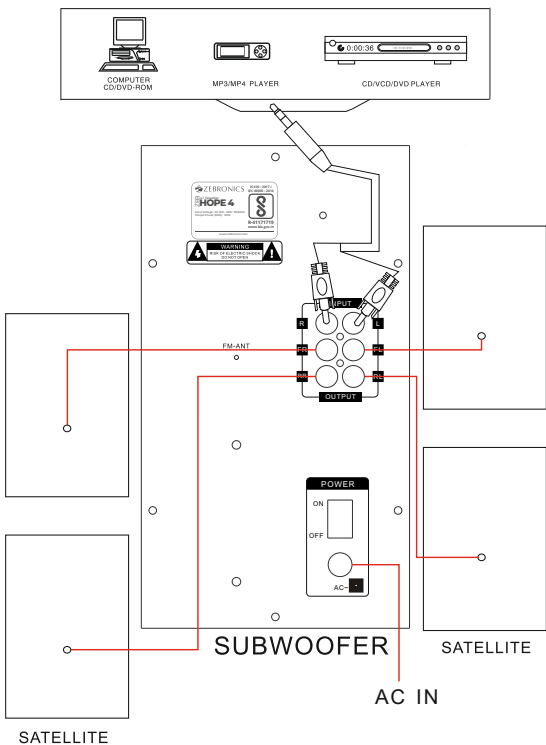


- |                             |                 |
|-----------------------------|-----------------|
| 1. LED DISPLAY              | 8. BASS CONTROL |
| 2. INPUT MODE               | 9. SD CARD SLOT |
| 3. PLAY/PAUSE/SCAN          | 10. USB PORT    |
| 4. VOLUME CONTROL           |                 |
| 5. NEXT/VOLUME+/FM CHANNEL+ |                 |
| 6. PREV/VOLUME-/FM CHANNEL- |                 |
| 7. TREBLE CONTROL           |                 |

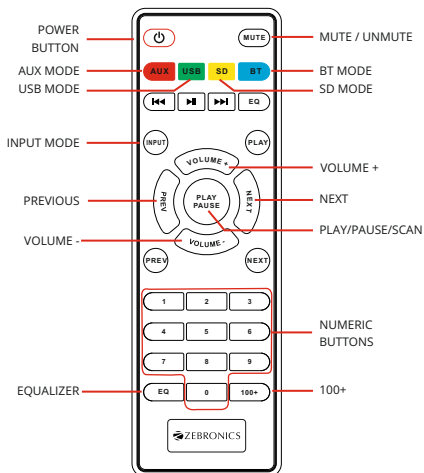
## Back Panel



# Satellite / Input and Output Connection



## Remote Control



**Power**: standby ON/OFF

**Numeric Pad (0-9)** : To select direct tracks from SD Card / USB drive and select two digits by consecutively pressing

**Vol+** : To increase the volume

**Prev** : To select the previous tracks in BT/USB/SD or channels in FM mode

**Vol-** : To decrease the volume

**100+** : To select tracks when more than 100 tracks present in USB / SD Card

**Input Mode** : Mode Selection (BT/AUX/USB/SD/FM)

**EQ** : Equalizer Presets PASS/POP/ROCK/JAZZ/CLASS/COUN.

**Play/Pause** : To Play / Pause for current track, Long Press to scan all available FM channels in FM mode

**Next** : To select the next tracks in BT/USB/SD or channels in FM mode

**Mute** : To Mute / Unmute for currently playing track

## Instructions for Use:

### Button functions

1. Press the **“Input”** button to change the input mode (BT/USB/SD/FM/AUX) of the speaker.
2. Short press the **“Next/Prev”** button to change the Prev/ Next track or channel when in BT/USB/SD mode or FM mode respectively.
3. Long press the **“Next/Prev”** button to increase/decrease the speaker volume.
4. Short press the **“PLAY”** button to Play/Pause the track being played or Mute/Unmute when in BT/USB/SD mode or FM/AUX mode respectively.
5. Press and Hold the **“PLAY”** button to Scan for the available FM channels.

### General Instructions

#### BT Mode:

Power ON the speaker, press **“Mode”** button to switch to BT Mode. Switch ON BT on your phone or tablet and search for nearby BT devices, Search for the BT name **“ZEB-HOPE 4”** and tap to connect it.

#### USB/SD Mode:

The speaker automatically switches to USB/SD input mode with the LED display when a USB flash drive/SD Card is inserted (this mode isn't selectable on the speaker or remote

### **FM radio:**

Switch the speaker to FM mode. In FM mode, long press the **PLAY** button in the subwoofer control panel or remote to scan for the available FM channels. Once the scanning is done, the scanned channels will begin to play.

### **AUX-IN:**

Switch the speaker to AUX mode. The speaker can be connected to an audio device using an RCA to 3.5mm. Connect the one end of the cable to the speaker and the other end to an audio source. The songs from the audio source can be heard through the speaker.

**ISO 9001:2015 Certified Company**

**[www.zebronics.com](http://www.zebronics.com)**

