



ZEBRONICS  
ALWAYS AHEAD

4 . 1 S p e a k e r  
**ZEB TRIDENT**



ZEB TRIDENT

User Manual

[www.zebronics.com](http://www.zebronics.com)

Thank you for purchasing the **ZEB-TRIDENT** 4.1 Speaker. Please read the user manual carefully before usage & save it for future reference.

**Note:**

- Avoid the usage of this speaker at the high temperature and high humidity environment.
- Avoid the self-disassembly of the product as it results in the failure of Warranty.

**Features**

4.1 Channel speaker  
Wireless BT/USB/AUX/FM  
LED Display  
15.24 cm Subwoofer drive  
Remote control  
Multicolor LED  
Stylish design  
Volume, Bass & Treble Control  
Glossy finish  
LED On/Off Switch  
Wall Mountable

**Specifications**

Output power (RMS)

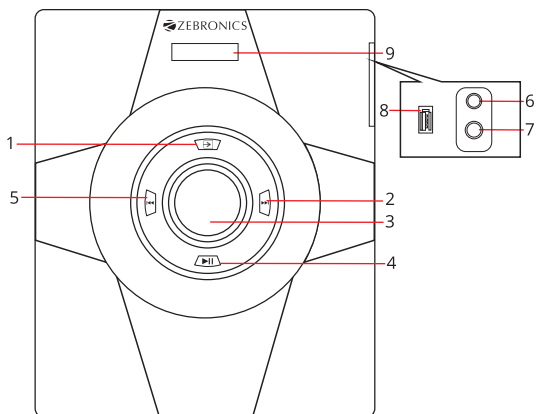
Subwoofer	: 60W
Satellite	: 20W x 4
Total	: 140W

Driver size	
Subwoofer	: 15.24 cm
Satellite	: 7.62 cm x 4
Impedance	
Subwoofer	: 8Ω
Satellite	: 4Ω
Frequency response	: 40Hz - 20kHz
S/N Ratio	: ≥70dB
Separation	: ≥75dB
File format	
support (USB)	: MP3
Line input	: 2ch RCA
Max. supported	
memory size (USB)	: 32GB
FM frequency range	: 87.5 MHz-108 MHz
BT Name	: ZEB-TRIDENT
BT Version	: 5.0
Product dimension (W x D x H)	
Subwoofer	: 21.5 x 34 x 32 cm
Satellite	: 10.3 x 11 x 30 cm
Net. weight	
Subwoofer	: 5.3 kg
Satellite	: 514 g
Total	: 7.3 kg

### **Package content**

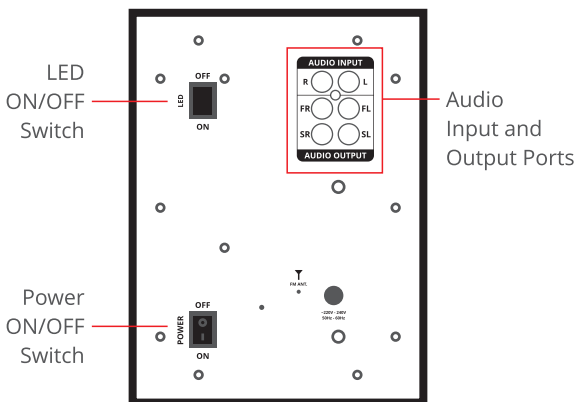
Subwoofer	: 1 U
Satellite	: 4 U
Remote control	: 1 U
Input cable	: 1 U
QR Code Guide	: 1 U

## Front Panel Description

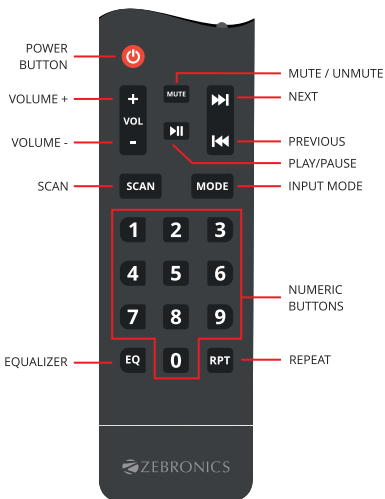


1. Input Mode
2. Short Press: Next Track/FM Channel  
Long Press: Increase Volume
3. Volume Knob
4. Play/Pause
5. Short Press: Previous Track/FM Channel  
Long Press: Decrease Volume
6. BASS control knob
7. TREBLE control knob
8. USB port
9. LED Display

## Back panel description



## Remote control



**Power** : standby ON/OFF

**Numeric Pad (0-9)** : To select particular track from USB drive directly or to enter FM Channel frequency directly

**Vol+** : To increase the volume

**Prev** : To select the previous tracks in BT/USB or to Tune in FM mode

**Vol-** : To decrease the volume

**RPT** : To Switch between available repeat modes

**Scan** : To scan all FM channels available

**Mode** : Mode Selection (BT/AUX/USB/FM)

**EQ** : Short press to control BASS and short Press again to control TREBLE. Long Press to use Equalizer

**Play/Pause** To Play / Pause the current track. To switch next channel in FM mode

**Next** : To select the next tracks in BT/USB or to Tune in FM mode

**Mute** To Mute / Unmute

## **General instruction**

### **BT Mode**

Switch the Speaker to BT mode, Scan for nearby BT devices in your mobile. Tap on “ZEB-TRIDENT” to connect.

### **USB mode**

Insert the USB pen drive to the speaker. The speaker will detect the USB & audio from it will be played automatically.

### **FM Radio**

Switch the speaker to FM mode. In FM Mode, Long press the play/pause key to scan the available FM channels. Once the scanning is done, the speaker will start playing the first scanned channel. Short press the PREV and NEXT buttons can be used to change the FM Channels

### **AUX-IN**

The speaker can be connected to an audio device using an RCA to 3.5mm cable. Connect the one end of the cable to the speaker & connect the other end of the cable to an audio source. The songs from the audio source can be heard through the speaker.

