



ZEBRONICS
ALWAYS AHEAD

ZEB 5.1 Speaker
BT8591RUCF

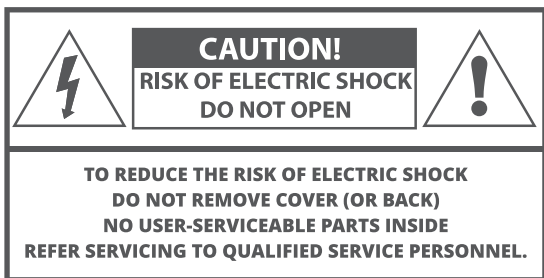


User Manual

www.zebronics.com

Thank you for purchasing the **ZEB-BT8591RUCF** 5.1 Speaker. Please read this user manual carefully and keep for future reference.

Warning



- To prevent fire or electric shock do not expose the unit to rain or moisture.

Note: This product is for indoor use only.

- Refer servicing to qualified personnel only.



The lightning flash with arrowhead symbol, within and equilateral triangle, is intended to alert the user of the presence of uninsulated "dangerous voltage" within the product's enclosure that may be of sufficient magnitude to constitute a risk of electric shock.



The exclamation point within an equilateral triangle is intended to alert the user of the presence of important operating and maintenance (servicing)

instructions in the manual accompanying the product.

IMPORTANT SAFETY INSTRUCTIONS

- 1) Read these instructions before using the product.
- 2) Read all the warnings carefully.
- 3) Follow all instructions carefully.
- 4) Do not use this unit near water.
- 5) Clean only with dry cloth.
- 6) Do not block any ventilation openings. Install in accordance with the manufacturer's instructions.
- 7) Do not install the speaker system near any heat sources such as radiators, heat registers, stoves, or other unit (including amplifiers) that produce heat.
- 8) Protect the power cord from being waled on or pinched particularly at plug points and the point where they exit from the unit.
- 9) Only use attachments/accessories specified by the manufacturer.
- 10) Use only with the cart, stand, tripod, bracket, or table specified by the manufacturer or sold with the unit. When a cart is used, be cautious while moving the cart/unit combination to avoid injury from tip-over.



11) Unplug this unit during lightning storms or when unused for long period of time. Refer all servicing to qualified service personal.

Servicing is required when the unit has been damaged in any way, such as power-supply cord or plug is damaged, liquid has been spilled or objects have fallen into the unit, the unit has been exposed in rain or moisture, does not operate normally, or has been dropped.

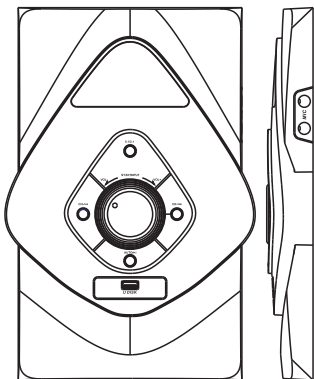
Package Contents:

Subwoofer	: 1 U
Satellite	: 5 U
Remote	: 1 U
QR Code Guide	: 1 U
Input cable (RCA - RCA)	: 1 U
Antenna cable	: 1 U
Stereo to RCA adapter	: 1 U
Wall mount with fasteners	: 1 U

How to use the BT:

1. select the audio input to BT mode
2. search BT device with name **"ZEB-BT8591RUCF"**
3. connect the BT
4. if your BT device below 5.0 version, input password **"0000"** when connecting.

Product Representation Front Panel



STANDBY: Power ON/OFF

INPUT : Input function button, switch among BT/AUX/USB/FM/AC 3 / HDMI(ARC) / Optical IN modes.

5.1/2.1 : To Switch 5.1/2.1CH function.

CH-/◀◀: "Previous " function button.

Previous track when BT/USB input;

Previous channel when FM input.

AUTO/▶|: Auto to automatic search and save the radio station when the FM mode; Play/Pause to Play or Pause the current track.

CH+/▶▶: "Next" function button.

Next track when BT/USB input;

Next channel when FM input

VOL-button: Decrease the volume

VOL+button: Increase the volume

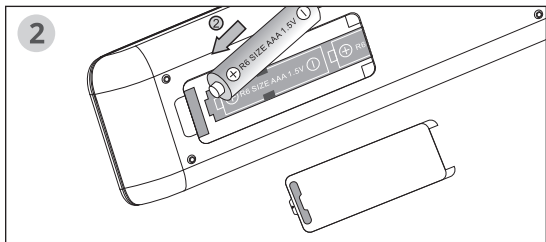
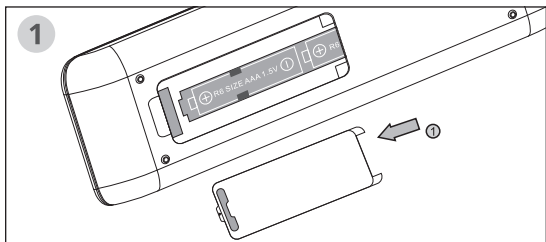
U DISK : USB Port

MIC 1 : MIC 1 Port ; **MIC 2 :** MIC 2 Port

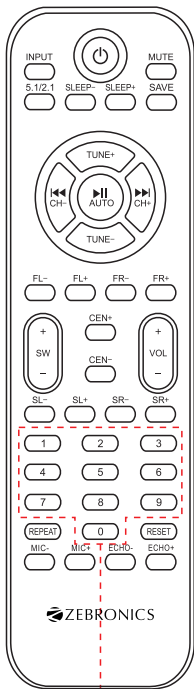
Important Notes

- Make sure that the power supply is proper and never handle the power cord or its plug with wet hands when plugging into, or unplugging from an plug-point.
- Ensure that the main power switch is in the "OFF" position before connection the AC power cord to the power supply to avoid damage to the unit.
- A damaged power cord can easily cause an electric shock or fire; Never use a power cord after it has been damaged.

Battery Installation



Remote Control



Press any key
to choose
the track



Power switch
button (Standby)
switch On or off

INPUT

Input mode
(AUX/USB/
HDMI(ARC)
/OPT/BT/FM)

MUTE

Mute/Unmute

DVD

AC-3 input for 5.1
mode audio source.

SAVE

Save FM Channel

5.1/2.1

5.1/2.1 function

TUNER-/+

Previous/Next
Channel Keep
Pressing to search
the channel



Play & pause

AUTO

Press and Hold for
2-3 sec to begin FM
auto scan



Previous track
when USB/BT
Input

CH-

Previous Channel
When FM Input



Next track when
USB/BT Input

CH+ Next Channel When FM Input

VOL -/+ To increase/decrease Master Volume

SW-/+ To calibrate the woofer sound level

FL-/+ To calibrate the front left speaker level

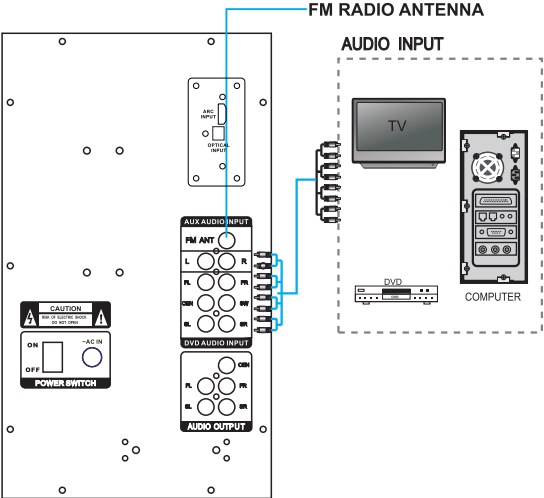
FR-/+ To calibrate the front right speaker level

CEN-/+ To calibrate the center level

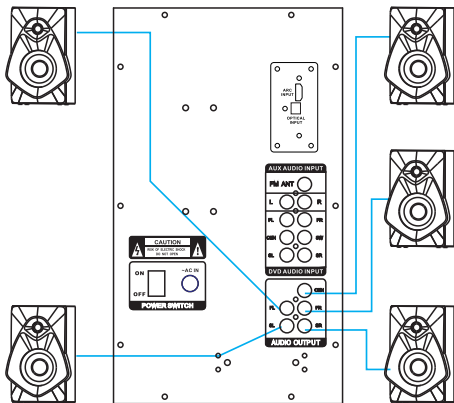
- SL-/+** To calibrate the surround left level
- SR-/+** To calibrate the surround right level
- SLEEP-/+** Time choice 0/10/20/30/45/60/90/120
- REPEAT** Repeat Mode
- RESET** When the Volume is at The Maximum, Press "RESET" Button at The Status While Power On
- MIC-/+** To Increase/decrease MIC Volume
- ECHO** To Increase/decrease MIC ECHO

Note: Insert the plugs fully into the jacks. Loose connections may produce noise interference.

Input Connectivity



Output connectivity



SPEAKER TERMINALS

Connect front speakers, center speaker, surround speakers to 5.1 speaker output terminals.

- The front speaker's cords to the Subwoofer's satellite front output terminals
- The center speaker's cords to the Subwoofer's satellite center output terminals
- The surround speaker's cords to the Subwoofer's satellite surround output terminals

Note: Do not leave objects generating magnetism near the speakers.

Unit Operation

HDMI (ARC) Mode

1. The Speakers supports HDMI with Audio Return Channel(ARC). If your TV is HDMI ARC compliant, you can hear the TV audio through your Speaker by using a single HDMI cable
2. Using a High Speed HDMI cable, connect the HDMI (ARC) connector on the Speaker to the HDMI ARC connector on the TV. The HDMI ARC connector on the TV might be labelled differently. For details, see the TV user manual.

Optical Mode

Use this operating mode to play music from the optical digital input for example from a TV on your Speaker(A). The TV must have an optical digital output. Use the optical cable to make the connection. Proceed as follows:

- Connect the optical cable to the optical digital output of your TV.
- Then connect the optical cable to the optical digital input of your Speaker.
- Switch the TV set and Speaker on. Set the connected TV to "PCM Stereo" or "Stereo 2.0".
- Start playing on the TV.
- Press the "OPTICAL" button on the remote control to select this mode.
- You can use the volume buttons to adjust the volume to your requirements.
- In this mode, playback can only be

Unit Operation

- First plug the cable of all the satellite into the output jack on the rear panel of the woofer, one end of the audio cord into the input jack on the rear panel, the other end into the output jack of the computer or any external audio source, the power cord into the power plug socket. Then switch on the unit, the LED will be in the blinking state in the front panel, when the standby button is being pressed the unit lights up.
- Pressing the **VOL +** and **VOL -** buttons will enable the volume levels to be increased & decreased.
- When the **5.1/2.1** button is pressed, it plays back the track from stereo to 5.1 channel in all modes for the selected mode.
- When in FM mode, press and hold **PLAY/PAUSE** button in the front panel of the woofer or the **AUTO** button in the remote for 2-3 seconds the automatic scanning will be proceeded and once after scanning it will playback the first channel of the full scan done.
- When inserted a USB drive, it will play from the device last inserted, the input mode will be changed to USB drive on the display and starts playing from the beginning or auto resumed from the track of the last time playback.

- When USB drive is working, press the **PLAY/PAUSE** button to pause the music, press the **PLAY/PAUSE** button again to resume music.
- When USB is playing, press the **MODE** button to cycle through the LINE IN, USB, FM, BT, AC 3, HDMI(ARC), OPT mode.
- When USB drive is working, press the **PREVIOUS** and **NEXT** button to choose the previous or the next audio track.
- After stop using the unit, Use the stand by button to turn off the unit, switch off the power switch, unplug the power cord.

Features

5.1 Channel Speaker

Multi Connectivity (BT v5.0 | HDMI (ARC) | Optical IN | USB | AUX | FM)

LED display

16.51cm subwoofer

Remote control

Wall Mountable

Dual Microphone input Jack

Volume/Bass/treble Control

Specification:

Output Power (RMS)

Subwoofer : 50 watts

Satellite : 15 watts x 5

Total : 125 watts

Driver Size

Subwoofer : 16.51 cm x 1

Satellite : 7.62 cm x 5

Impedance

Subwoofer : 8Ω

Satellite : 4Ω

Frequency response : 40Hz-20kHz

S/N Ratio : ≥75dB

Separation : ≥50dB

File format support (USB) : MP3,WMA, WAV, FLAC, APE

Line input : 2ch RCA , AC-3

Max supported USB memory size : 128GB

FM frequency scan range : 87.5MHz - 108MHz

BT name : ZEB-BT8591RUCF

BT version : 5.0 + EDR

Product dimension (W x D x H)

Subwoofer : 22.5 x 31 x 34.5 cm

Satellite : 12.5 x 10 x 18.5 cm

Net.Weight

Subwoofer : 5.3kg

Satellite : 0.44Kg x 5

Total : 7.5kg

ISO 9001:2015 Certified Company
www.zebronics.com

