



ZEBRONICS
ALWAYS AHEAD

5.1 Speaker
ZEB **RAINBOW 100**



User Manual

www.zebronics.com

Thank you for purchasing Zebronics Speaker. Please read this user manual carefully before Operation & save it for future reference.

Note:

- Avoid the use of this speaker at the high-temperature and high humidity environment.
- Avoid self-disassemble of speaker, or it will result in the failure of warranty.

Features

Wireless BT/USB/FM/AUX

LED Display

10.16cm Subwoofer

Remote control

Volume & Bass adjustment

RGB Lights

Stylish design

Wall mountable

Specifications

Output power (RMS)

Subwoofer : 30W

Satellite : 10W x 5

Total : 80W

Driver size

Subwoofer : 10.16cm

Satellite : 7.62 cm x 5

Impedance

Subwoofer : 4Ω

Satellite : 6Ω

Frequency response : 40Hz - 20kHz

S/N Ratio : ≥80dB

Separation : ≥45dB

File format

support (USB) : MP3

Line input : 2ch RCA

Max. supported

memory size (USB) : 32GB

FM frequency range : 87.5 MHz-108 MHz

BT name : ZEB-RAINBOW 100

BT version : 5.0

Product dimension (W x D x H)

Subwoofer : 150 x 285 x 210 mm

Satellite : 100 x 85 x 142 mm

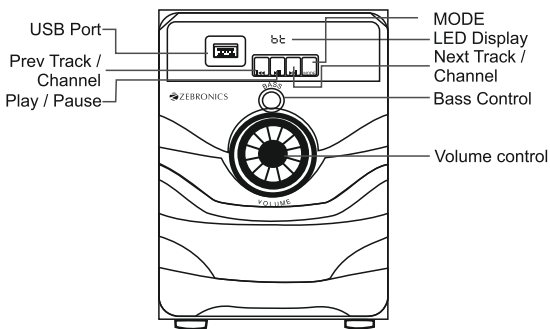
Net. weight

Subwoofer : 2.5Kg

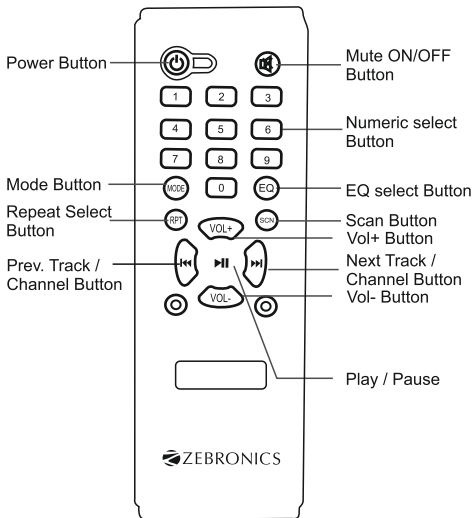
Satellite : 251g x 5

Total : 3.75Kg

Control Description



Remote control



General instruction

Bluetooth connectivity

Switch the Speaker to BT mode, Scan for nearby BT devices in your mobile. Tap on **“ZEB-RAINBOW”** to connect.

USB mode

Insert the USB pen drive to the speaker. The speaker will detect the USB & audio from it will be played automatically.

FM Radio

Switch the speaker to FM mode. In FM Mode, Short press the Play / Pause key to scan the available FM channels. Once the scanning is done, the speaker will start playing the first scanned channel. The next and Prev. buttons can be used to change the FM channels.

AUX-IN

The speaker can be connected to an audio device using an RCA to 3.5mm cable. Connect the one end of the cable to the speaker & connect the other end of the cable to an audio source. The songs from the audio source can be heard through the speaker.

ISO 9001:2015 Certified Company

www.zebronics.com

