



Portable BT Speaker

ZEB **ASTRA35**



**User Manual**

[www.zebronoics.com](http://www.zebronoics.com)

Thank you for purchasing **ZEB-ASTRA 35** BT Speaker. Please read this user manual carefully and keep it for future reference.

**Note:**

- Avoid the usage of this product at the high temperature and high humidity environment.
- Avoid the self-disassembly of the products or it results in the voiding the product's Warranty.
- Turn off the speaker when the speaker is not in use.
- To know more about Terms and conditions for warranty policy, please visit:

<https://zebronics.com/pages/warranty-policy>

**Features:**

BT v5.3

TWS Function

Supports USB & mSD card

Built-in FM Radio

AUX Input

Call Function

Media / Volume control

Built-in Rechargeable battery

Dual Passive Radiators

Matte Finish

RGB LED modes

## Specifications:

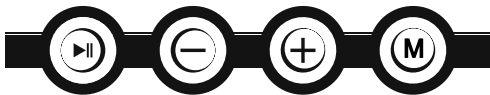
Model No	: ZEB-PSPK 43
Output Power (RMS)	: 16W (8W + 8W)
BT Version	: 5.3
Driver Size	: 52mm x 2
Speaker Impedance	: 3Ω
Frequency Response	: 100Hz-20kHz
S/N Ratio	: ≥75dB
Separation	: ≥45dB
Max Supported USB/mSD memory size	: 32GB
Supported Audio formats	: MP3
Charging time	: 7.5h
Playback time	: 24h*
Product Dimensions (W x D x H)	: 36.2 x 7.7 x 5.4 cm
Net. Weight	: 522g

## Package Contents :

Speaker	: 1 U
Charging cable	: 1 U
AUX cable	: 1 U
QR Code Guide	: 1 U

*\* at 50% volume(LED off)*

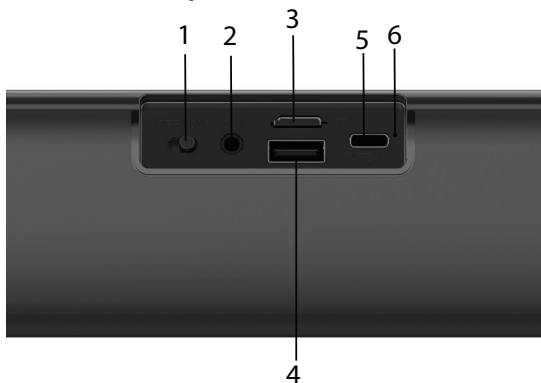
## Control panel image:



### Button Functions:

1. Short Press the **"M"** Button to change the input mode of the speaker
2. Long press the mode button to change the LED modes.
3. Short press the **"-/+"** button to decrease/increase the speaker volume.
4. Long press the **"-/+"** button change the PREV/NEXT track or channel when BT/USB/mUSB mode or FM mode respectively.
5. Short press **"PLAY/PAUSE"** button to play/pause the track being played.
6. During Calls short press the **"PLAY/PAUSE"** button to attend/end the call. Long press the **"PLAY/PAUSE"** button to reject the incoming call.
7. Double press **"PLAY/PAUSE"** the button to redial the last dialed number.

## Rear Panel Description



1. Power On/Off switch
2. Aux input
3. mSD input
4. USB input
5. Charging input
6. Charging indicator

## General Instructions

### Charging Instructions

- Connect the Type C cable to the Charging port of the speaker and insert the other end into a DC 5V power adapter.
- Red LED Glows, indicating that the battery is being charged.
- Once the speaker is fully charged, the red LED indicator is turned off.

## **BT Mode**

- Power ON the speaker, it will enter into BT pairing mode open bluetooth setting in the phone and search for the BT name “**ZEB-ASTRA 35**” and tap to connect.

## **TWS Function**

- When two speaker are in bluetooth mode.
- Long press “**M**” button of one speaker to enter TWS mode. It will search and connect with another speaker automatically, when two speakers are connected successfully, you can control two speakers at the same time.

***Note:** Requires two speakers for TWS feature.*

## **AUX MODE**

- Connect the speaker to the audio source using 3.5 AUX cable. Once connected, change the speaker to AUX mode and audio can be streamed via the speaker from the connected source.

## **USB/mSD Module**

- Connect the USB/micro SD card device to the respective ports of the “**ZEB-ASTRA 35**” and the speaker would automatically start

## FM Mode

- When you press “**M**” button can aswitch to FM modes. Once the speaker is in FM mode, short press the “**PLAY/PAUSE**” button once to start scanning for FM channels. Once scanning is complete, short press “**-/+**” Button to change the channel.

**Note:** Please use Type C cable as antenna for better FM Signal reception.

ISO 9001:2015 Certified Company

[www.zebronics.com](http://www.zebronics.com)

