

# ZEBRONICS

Portable BT Speaker

# ZEB BASH



## User Manual

[www.zebronics.com](http://www.zebronics.com)

## Dear Customer,

Thank you for purchasing **ZEB-BASH** Portable BT Speaker. Please read the user manual carefully before usage & save it for future reference.

### **Note:**

- *Avoid the usage of this product at the high temperature and high humidity environment.*
- *Avoid the self-disassembly of the products or it results in the voiding the product's Warranty.*
- *Turn off the speaker when the speaker is not in use.*
- *To know more about Terms and conditions for warranty policy, please visit*

<https://zebronics.com/pages/warranty-policy>

## Features

BT v5.0 | USB | mSD | AUX | MIC IN | GT IN

LED Display

TWS Function

RGB Lights

Built-in Rechargeable Battery

Voice Changing Wireless MIC

## Specifications

Output Power (RMS) : 60W

Driver Size

Full Range : 20.32cm

Tweeter : 7cm

Impedance

Full Range : 3Ω

Tweeter : 10Ω

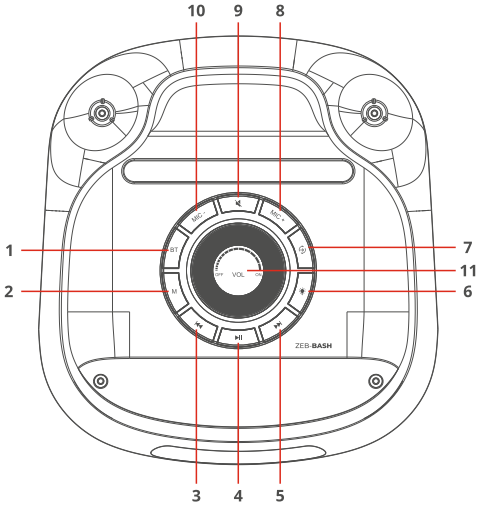
|                    |  |
|--------------------|--|
| Frequency Response | : 20Hz-20kHz                           |
| S/N Ratio          | : ≥80dB                                |
| Supported Audio    |  |
| Formats            | : MP3                                  |
| Max Supported      |  |
| Memory Size        | : 32GB (USB/mSD)                       |
| Charging Time      | : 4h                                   |
| Playback Time      | : 3h*                                  |
| BT Version         | : v5.0                                 |
| Product Dimension  | : 26.5 x 28.5 x 43.5 cm<br>(W x D x H) |
| Net. Weight        | : 4.5 Kg                               |

**Package Contents:**

|                |       |
|----------------|-------|
| Speaker        | : 1 U |
| Wireless Mic   | : 1 U |
| Charging Cable | : 1 U |
| AUX Cable      | : 1 U |
| Remote         | : 1 U |
| QR Code Guide  | : 1 U |

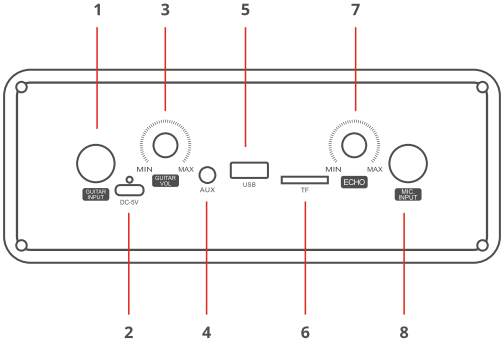
*\* at 50% volume (LED off)*

# Buttons Description



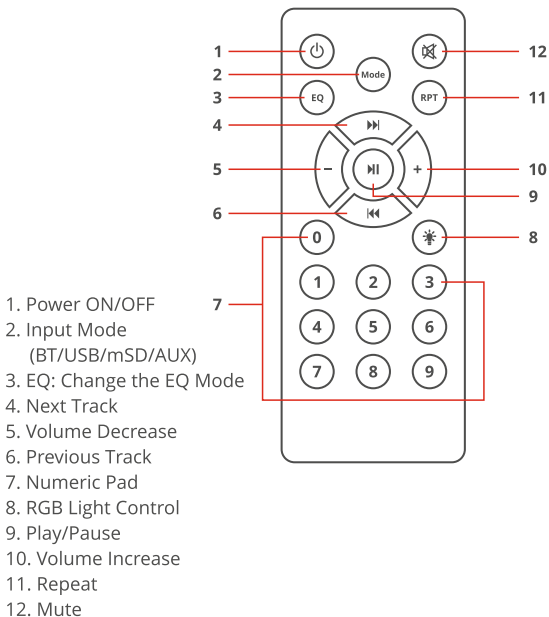
1. Press to Unpair the Currently Connected BT Device
2. Mode Button to Switch Between Available Input Modes
3. Previous Track
4. Play/Pause
5. Next Track
6. LED Modes
7. Voice Modulation for Wireless Mic Input  
(Neutral Mode, High Pitch Mode 1 , Sound Monster Mode, High Pitch Mode 2, Reverberation Mode)
8. Mic Volume Increase
9. Mute
10. Mic Volume Decrease
11. Volume Increase / Decrease Knob  
(Rotate the Knob to Power ON the Speaker)

# Ports / Control Description



- 1. Guitar Input Port
- 2. Type-C Charging Port  
(Charging LED Indicator on Top)
- 3. Guitar Volume Control Knob
- 4. AUX Input
- 5. USB Port
- 6. mSD Slot
- 7. Echo Control Knob
- 8. Microphone Input

## Remote Control



## General Instructions

### BT Mode:

Switch the speaker to BT mode, Scan for nearby BT devices in your mobile phone or source device & tap on **ZEB-BASH** to connect.

### USB/mSD:

Insert the USB Drive/mSD Card to the speaker it will detect the USB Drive/mSD Card and the audio files from drive will be played automatically.

## **AUX-IN:**

The speaker can be connected to an audio device using a 3.5mm cable. Connect the one end of the cable to the speaker & connect the other end of the cable to an audio source. The songs from the audio source can be heard through the speaker.

## **TWS Connectivity :**

1. Turn on both **"ZEB-Bash"** speakers in BT mode.
2. Press and hold the Mode button for 3-5 seconds in any one of the speaker to initiate TWS pairing.
3. After few seconds both speakers will get connected successfully.
4. Now search for nearby BT device in you mobile phone or other source device and tap on BT name **ZEB-BASH** to connect.

## **Charging the Speaker :**

Charge the speaker using DC 5V 1.5A rated power adapter with included Type-C charging cable. RED color LED will be glowing while speaker is charging and it goes off after full charge.

**ISO 9001:2015 Certified Company**

**[www.zebronics.com](http://www.zebronics.com)**

