



ZEBRONICS
ALWAYS AHEAD

Portable BT Speaker
ROCKET500



User Manual

www.zebronics.com

Dear Customer,

Thank you for purchasing **ZEB-ROCKET 500** Portable Speaker. Please read the user manual carefully before usage & save it for future reference.

Note:

- Avoid the usage of the product at high temperature and high humidity environment.
- Avoid the self-disassembly of the products or it results in the voiding the product's Warranty.
- Turn off the speaker when the speaker is not in use.

To know more about Terms and conditions for warranty policy, please visit

<https://zebronics.com/pages/warranty-policy>

Features

BT v5.0 / USB / FM / AUX

Front RGB Fusion

Deep Bass

Type C Charging

Volume & Media controls

Dual 76.2mm Drives

Built-in Rechargeable battery

Microphone input

TWS Function

Detachable Carry handle

Dual Passive radiator

Fabric Finish

4 LED Modes + 1 OFF Mode

Specifications

Output Power : 20W (10W+10W)

BT Version : 5.0

Driver Size : 76.2mm x 2

Speaker Impedance : 4Ω

Frequency Response : 80Hz-16kHz

S/N Ratio : ≥85dB

Max Supported USB

memory size : 32GB

Supported

Audio formats : MP3, WAV, WMA

Charging time : 3-4 h

Playback time : 15h*

Product Dimension : 33.2 x 14.2 x 15.2 cm

(W x D x H)

Net. Weight : 1.8 kg

Package Contents

Speaker : 1 U

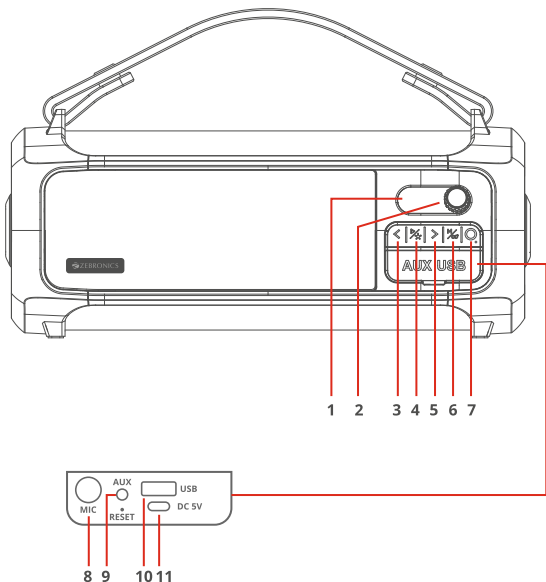
Charging cable : 1 U

AUX cable : 1 U

QR Code Guide : 1 U

** at 50% volume level (LED off)*

Button & Port Description




1. LED Display
2. Volume Control Knob
3. Previous Button:- Single press previous audio track / FM channel
4. Play / LED button
5. Next Button :- Single press Next audio track / FM Channel and Long press to disconnect BT.
6. Mode / TWS Button
7. Power ON/OFF Button.
8. Microphone Input
9. AUX Input
10. USB
11. Charging Port

General Instructions:


LED mode Control

- Press and hold the **Play/LED Button** to switch to different LED Mode.

Bluetooth

Turn ON the speaker, press "  " button to switch to BT Mode. Switch ON BT on your phone or tablet and search for nearby BT devices, Search for the BT name "**ZEB Rocket 500**" and tap to connect it.

TWS Function

- Turn on two **ZEB ROCKET 500** speakers.
- Press and hold the "  " button for few seconds on any one speaker to activate TWS function.
- After Few seconds, you'll hear TWS connected notification from the speakers when they are connected successfully.
- Now, search for nearby BT device in your mobile and Tap on the BT name **ZEB ROCKET 500** to pair the speaker.

*Note: Requires Two **ZEBRONICS ROCKET 500** speakers for TWS feature.*

AUX IN



Switch the speaker to AUX mode. The speaker can be connected to an audio source using a 3.5mm cable. Connect the one end of the cable to the speaker and the other end to

an audio source. The songs from the audio source can be heard through the speaker.

USB mode

The speaker automatically switches to USB input mode when a USB flash drive is inserted. The songs from the audio source can be heard through the speaker (this mode isn't selectable on the speaker unless a USB flash drive is connected). Single Press The < to switch to previous audio track and Single Press the > button to switch to next audio track.

FM Radio mode

Press the "  " button can switch to **FM** mode. Long press "  " button to initiate FM scanning process. Once the scanning process is done, the Speaker automatically plays the First channel of the FM. Press < to switch to previous FM channel and Press > to switch to next FM channel.

Charging instruction

Connect the one end of the power cable to speaker and connect the other end to a rated **DC 5V** adapter. The Speaker has constant Red led indication when the speaker is charging. The Indicator turns off when the speaker is completely charged.

ISO 9001:2015 Certified Company
www.zebronics.com

