

 ZEBRONICS

Portable BT Speaker

ZEB **SOUND**
FEAST 70



User Manual

www.zebronics.com

Dear Customer,

Thank you for purchasing **ZEB-SOUND FEAST 70** Portable Speaker. Please read the user manual carefully before usage & save it for future reference.

Features

BT v5.3

Support USB

AUX Input

TWS Function

Call Function

Media / Volume control

Built-in Rechargeable battery

5 LED Modes + 1 OFF Mode

Passive Radiator

Ambient RGB Projection

Specifications

Model : ZEB-PSPK 30

Output Power (RMS) : 10W

BT Version : 5.3

Driver Size : 7 cm

Speaker Impedance : 4Ω

Frequency Response : 80HZ-16kHz

S/N Ratio : ≥80 dB

Max Supported
memory size (USB) : 64 GB

Supported

Audio formats : MP3, WAV, WMA, FLAC

Charging time : 3 h

Playback time	: 10 h*
Product Dimension (W x D x H)	: 15.5 x 8 x 12.8 cm
Net. Weight	: 635g

** at 50% Volume (LED OFF)*

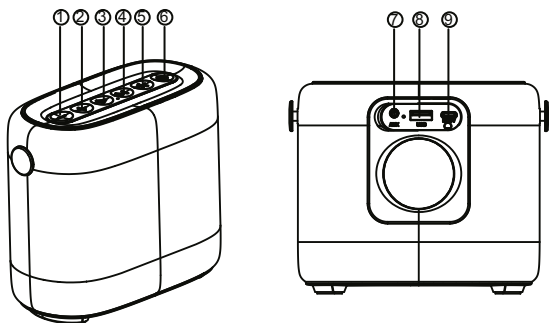
Package Contents

Speaker	: 1 U
Charging cable	: 1 U
QR Code Guide	: 1 U
Input Cable	: 1 U

Charging Instruction:

Use the provided type C charging cable with a DC 5V/2A rated power adapter/charger.

Speaker Descriptions:



Button Functions:

- ① Single-Press Volume Down, Long-Press Previous Track (BT & USB)
- ② Single-press volume up, long-press next track (BT & USB)
- ③ Play/Pause:
 - * Single-press – Play or Pause track (BT & USB), mute/unmute in AUX mode.
 - * Long-press – Disconnect/Reconnect the BT connection
 - * Double-press – Activate voice assistant (BT)
 - * During phone call single-press to accept/end, long-press to decline incoming call.
 - * During ongoing call, long-press to switch to talking on the phone.

- ④ Single-press to switch input modes, long-press to activate/deactivate TWS
- ⑤ Single-press for Ambient RGB Projection light modes, long-press to turn off.
- ⑥ Long-press to On/Off the speaker.
- ⑦ Aux input
- ⑧ USB input
- ⑨ Type C charging

BT Connection:

Use the mode button to switch the speaker to BT mode, you will hear a notification tone indicating BT discovery mode. Now turn on BT in your source device settings and tap on **ZEB-SOUND FEAST 70** and click pair. You will hear a notification indicating the pairing was successful.

USB Input:

Plug a pendrive into the USB port, and the speaker will switch automatically to USB mode and start playing the supported audio files.

AUX Input:

Plug in the provided aux input cable to the speaker and plug the other end to any compatible audio output device.

[Note: Media controls can be controlled via audio source device]

TWS Mode:

- Turn on both **ZEB-SOUND FEAST 70** speakers and activate BT discovery mode.
- On any one speaker long-press the mode button to activate TWS mode and the speakers will prompt notification tone after paired successfully together.
- Now you can see only one BT name **ZEB-SOUND FEAST 70** on your audio source device settings, tap on it and click pair.
- Long-press the mode button to disable TWS.

Reset Instruction:

Long-press the volume-down Button for 5 seconds, and the device will power off, clearing all BT and TWS connection memory and restoring to the factory default settings.

LED indications:

BT discovery mode	: Blue light blinks
BT connected	: Stable blue light
Charging	: Stable red light
Full charge	: Stable red light turns Off
Low battery	: Red light blinks

ISO 9001:2015 Certified Company

www.zebronics.com

