



Portable BT Speaker
ZEB **SOUND**
FEAST **80**



User Manual

www.zebronics.com

Dear Customer,

Thank you for purchasing **ZEB-SOUND FEAST 80** Portable Speaker. Please read the user manual carefully before usage & save it for future reference.

Features

BT V5.3

USB

20W RMS Output

Upto 14h* Backup

Wireless Microphone

Type-C Charging

Detachable Carry Strap

Media & Volume control

Built-in Rechargeable Battery

Specifications

Model : ZEB-PSPK 29

Output Power (RMS) : 20W

BT Version : v5.3

Driver Size : 6.35cm x 2

Speaker Impedance : 4Ω

Frequency Response : 80HZ-16kHz

S/N Ratio : ≥80dB

Max Supported

memory size (USB) : 64GB

Supported

Audio formats : MP3, WAV, WMA, FLAC

Charging time : 5h

| | |
|----------------------------------|-------------------|
| Playback time | : 14h* |
| Product Dimension (W x D x H) | : 26 x 10 x 12 cm |
| Net. Weight | : 1.12kg |

** at 50% Volume (LED OFF)*

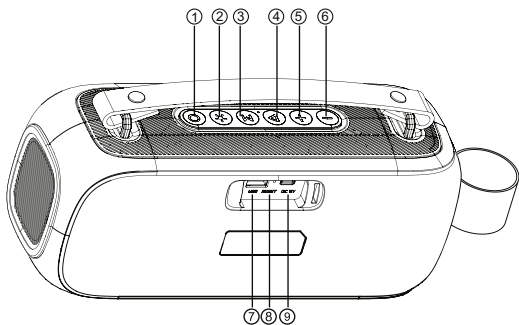
Package Contents

| | |
|---------------------|-------|
| Speaker | : 1 U |
| Charging Cable | : 1 U |
| QR Code Guide | : 1 U |
| Wireless Microphone | : 1 U |

Charging Instruction:

Use the provided type C charging cable with a DC 5V/2A rated power adapter/charger.

Speaker Descriptions:

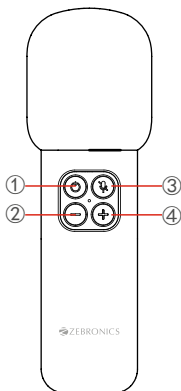


Button Functions:

- ① Long-Press to On/Off the Speaker.
- ② Single-Press for Ambient RGB Projection Light Modes, Long-press to turn off.
- ③ Single-press to switch input modes.
- ④ Play/Pause:
 - * Single-press – Play or Pause track (BT & USB)
 - * Long-press – Disconnect/reconnect the BT connection.
- ⑤ Single-press volume up/long-press next track (BT & USB)
- ⑥ Single-press volume down/long-press previous track (BT & USB)
- ⑦ USB input
- ⑧ Reset button
- ⑨ Type C charging

Wireless Microphone Description:

When both speaker and wireless microphone are turned on within auto-connection range, they both will be connected together automatically.



- ① Power button (Press and hold to On/Off)
- ② Mic. volume down (Single press)
- ③ Mic. mute/unmute (Single press)
- ④ Mic. volume up (Single press)

BT Connection:

Use the mode button to switch the speaker to BT mode, you will hear a notification tone indicating BT discovery mode. Now turn on BT in your source device settings and tap on **ZEB-SOUND FEAST 80** and click pair. You will hear a Notification Indicating The Pairing Was Successful.

USB Input:

Plug a Pendrive into the USB port, and the speaker will switch automatically to USB mode and start playing the supported audio files.

Reset Instructions:

Single-press the RESET button at the back of the speaker using a paper clip and the speaker will power off or you can also long-press the volume-down button for 5 seconds and the device will power off, clearing all BT connection memory and restoring to factory default settings.

LED Indications:

For speaker:

| | |
|-------------------|------------------------------|
| BT discovery mode | : Blue light blinks |
| BT connected | : Stable blue light |
| Charging | : Stable red light |
| Full charge | : Stable red light turns off |
| Low battery | : Red light blinks |

For wireless mic:

| | |
|---------------------|---------------------|
| Discovery Mode | : Blue Light Blinks |
| Paired Successfully | : Stable Blue Light |

ISO 9001:2015 Certified Company

www.zebronics.com

