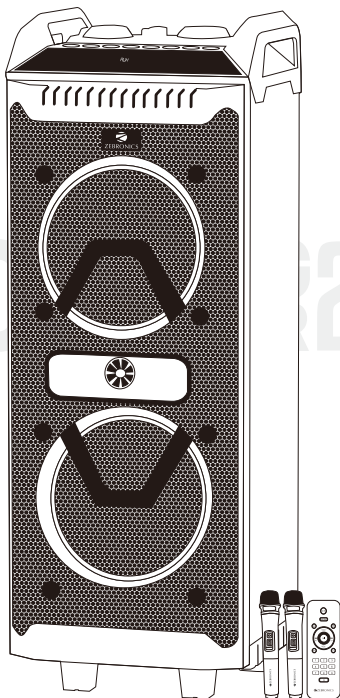




TROLLEY DJ SPEAKER

ZEB 50 MOVING MONSTER 2X8L



User Manual

www.zebronics.com

Thank you for purchasing Zebronics Speaker. Please read this user manual carefully before operation & save it for future reference.

Note:

- Avoid the use of this speaker at the high-temperature and high humidity environment.
- Avoid self-disassemble of speaker, or it will result in the failure of warranty.

Features:

Trolley speaker

Wireless BT/USB/mSD/FM/AUX

MIC Input x 2

Recording Function

Karaoke Function

LED Display

LED Lights with On/Off Switch

20.32cm x 2 Full Range Speaker

Remote Control

Two Wireless MIC

Equalizer Preset

Phone/Tablet Holder

Built-in Rechargeable Battery

Supports External Battery

Volume, Bass & Treble Controls

Specification:

Output power (RMS) : 80W

Driver size

Full range : 20.32cm x 2

Tweeter : 2.54cm x 1

Impedance

Full range : 4Ω

Tweeter : 6Ω

Frequency response : 65Hz-18kHz

S/N Ratio : ≥60dB

File format support : MP3, WMA, WAV

Line input : 3.5mm

Max. supported USB/mSD

Memory size : 32GB

FM frequency range : 87.5 MHz-108 MHz

Charging time : 7h

Playback time : 9h*

BT name : ZEB-501 MOVING
MONSTER 2X8L

BT version : 5.0

Product dimension : 280 x 265 x 762 mm
(W x D x H)

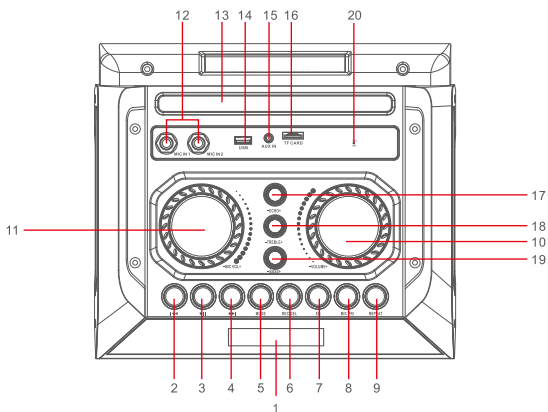
Net. weight : 11.5kg

** at 50% volume (LED off)*

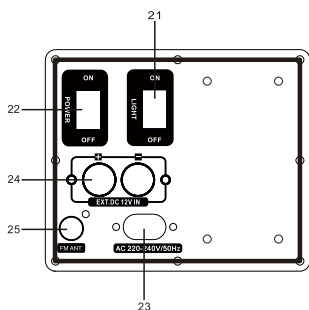
Package Contents:

DJ Speaker	: 1 U
Remote Control	: 1 U
Wireless Mic	: 2 U
Microphone Clamp	: 2 U
FM Antenna	: 1 U
Input Cable	: 1 U
Power Cord	: 1 U
QR Code Guide	: 1 U

Control Description

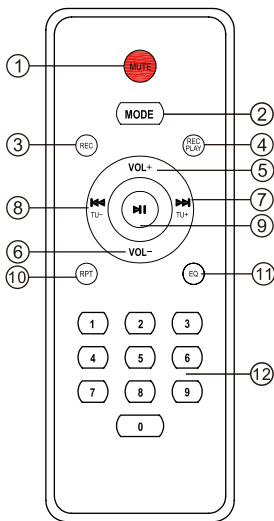


1. LED display
2. Previous Track/FM channel key
3. Play/Pause key
4. Next Track/FM channel key
5. Mode change Key
6. REC/DEL: Short press to start recording; Short press again to play the recorded files. Long press to delete the recorded files.
7. Equalizer preset
8. Mic Priority On-Off key
9. Repeat key
10. Master volume control
11. Mic volume control
12. Microphone input 1 and input 2 jack
13. Phone/Tablet holder
14. USB port
15. AUX IN
16. Micro SD card port
17. Echo control
18. Treble control
19. Bass control
20. Led indicator



- 21. Light switch
- 22. Power switch
- 23. AC input
- 24. External 12V battery terminals
- 25. FM antenna input

Remote Control



- 1. Mute/Unmute
- 2. Mode Change Key
- 3. Recording Key
- 4. Play Recorded File
- 5. Volume +
- 6. Volume -
- 7. Next Track/FM Channel +
- 8. Previous Track/FM Channel -
- 9. Play/Pause Key
- 10. Repeat Key
- 11. EQ Preset
- 12. Numeric Selection (0-9)

General Instructions

BT connectivity

Switch the speaker to BT mode, scan for nearby BT devices in your mobile. Tap on **ZEB-501 MOVING MONSTER 2X8L** to connect.

USB/Micro SD Mode

Insert the USB/Micro SD card to the speaker. The speaker will detect the USB/Micro SD card automatically & the songs from it will be played.

FM Radio

Switch the speaker to FM, In FM Mode, long Press the Play/Pause Key to scan the available FM channels. Once the scanning is done, The speaker will start playing the first scanned channel.

AUX-In

The speaker can be connected to an audio device using a 3.5mm cable. Connect the one end of the cable to the speaker & connect the other end of the cable to an audio source. The songs from the audio source can be heard through the speaker.

Recording Function

To record a voice and music, first plug-in a USB/Micro SD card into the speaker which will act as a storage device. Short Press the **REC/DEL** button on front control panel or Press the **REC** button on the remote to start/stop recording and Long press the **REC/DEL** button on front control panel to delete the recorded files. Press **REC PLAY** button on remote to play the recorded files stored in USB/Micro SD card.

Note: Speaker can record the Mic input

Charging Indication:

Charging : Red LED Flashes

Full Charge : Red LED Glows

ISO 9001:2015 Certified Company

www.zebronics.com

