



Trolley DJ Speaker

ZEBBUDDY
300



User Manual

www.zebronics.com

Dear Customer,

Thank you for purchasing **ZEB-BUDDY 300** Trolley DJ Speaker. Please read the user manual carefully before usage & save it for future reference.

Note:

- *Avoid the usage of this product at the high temperature and high humidity environment.*
- *Avoid the self-disassembly of the products or it results in the voiding the product's Warranty.*
- *Turn off the speaker when the speaker is not in use.*
- *To know more about Terms and conditions for warranty policy, please visit*

<https://zebronics.com/pages/warranty-policy>

Features

BT v5.0

Supports USB & mSD

AUX

RGB Lights with Control Switch

LED Display

TWS Function

6.3mm Microphone Input

Guitar Input

Media/Volume Control

Volume, Bass & Treble Control

Built-in Rechargeable Battery

Voice Changing Wireless MIC

Specifications

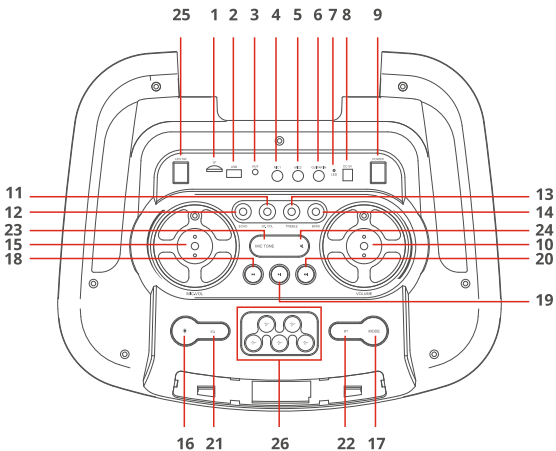
Output Power (RMS)	: 220W
Driver Size	
Full Range	: 38.1cm
Tweeter	: 7cm
Impedance	
Full Range	: 4Ω
Tweeter	: 10Ω
Frequency Response	: 100Hz-20kHz
S/N Ratio	: ≥80dB
Supported Audio	
Formats	: MP3
Max Supported	
Memory Size	: 32GB (USB/mSD)
Charging Time	: 5h
Playback Time	: 7h*
BT Version	: v5.0
Product Dimension	: 44 x 36.7 x 60 cm (W x D x H)
Net. Weight	: 13.2 Kg

Package Contents:

Speaker	: 1 U
Wireless Mic	: 2 U
AUX Cable	: 1 U
Input Cable	: 1 U
Remote	: 1 U
QR Code Guide	: 1 U

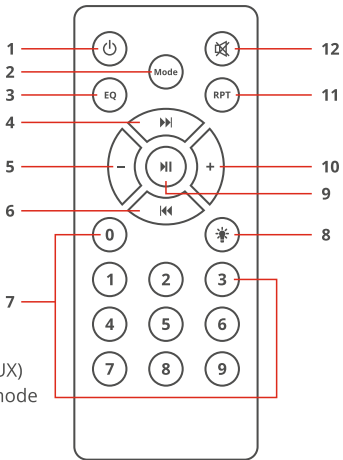
* at 50% volume (LED off)

Buttons Description



- | | |
|-------------------------|--|
| 1. mSD Card | 16. RGB Light Control |
| 2. USB Port | 17. Input Mode
(BT/USB/mSD/FM/AUX) |
| 3. AUX | 18. Previous Track/Channel
(in FM Mode) |
| 4. MIC1 Input Port | 19. Play-Pause/Scan |
| 5. MIC2 Input Port | 20. Next Track/Channel
(in FM Mode) |
| 6. Guitar Input Port | 21. EQ: Change the EQ Mode |
| 7. LED Indicator | 22. BT Mode |
| 8. DC 5V | 23. MIC Tone for Voice Changing
Feature |
| 9. Power ON/OFF Switch | 24. Mute |
| 10. Volume Control | 25. LED On/Off Switch |
| 11. Treble +/- Controls | 26. BGM Effects |
| 12. Bass +/- Controls | |
| 13. Guitar +/- Controls | |
| 14. Echo +/- Controls | |
| 15. MIC Volume Control | |

Remote Control



1. Power ON/OFF
2. Input mode
(BT/USB/mSD/FM/AUX)
3. EQ: Change the EQ mode
4. Next track/channel
5. Volume decrease
6. Previous track/channel
7. Numeric pad
8. RGB light control
9. Play-Pause
10. Volume Increase
11. Repeat
12. Mute

Instruction for Use:

Button Function:

1. Turn the speaker ON/OFF using the power switch.
2. Press mode button to change it to BT mode.
3. Use Master volume control knob to increase / decrease the volume.
4. Use MIC volume control knob to increase / decrease the MIC volume.
5. Press Prev/Next button to control the media.

6. Press Play-Pause button to play track or pause track being played.

Pairing with the Bluetooth speaker:

1. Power ON the Speaker and you will hear the indication tone for the BT mode.
2. Turn ON BT on your phone or tablet and search for the nearby BT compatible devices.
3. Search for the BT name **"ZEB-BUDDY 300"** and tap to connect it.

Micro SD / USB Mode:

Once the speaker is ON, insert the micro SD card / USB drive to the respective ports of the **"ZEB-BUDDY 300"** and the speaker will automatically detect the track from the USB drive/Micro SD card and play.

Press Prev/Next button to control the media. Use the Master volume knob to control the volume of the speaker.

FM Radio:

Once the speaker is turned ON, please switch the speaker to FM mode using the Mode button, Press Play-Pause button to auto scan the available FM channels.

Use Prev/Next button to change the FM channels.

TWS Function:

- Switch ON two **"ZEB-BUDDY 300"** speakers you want to pair.

- Press & hold the Mode button for 5-10 seconds in any one speaker to activate TWS mode.
- After few seconds, both the speakers will be connected successfully.
- Now, search for nearby BT device in your mobile and Tap on the BT name "**ZEB-BUDDY 300**" to connect.
- To exit TWS mode, Press & hold mode button for 5-10 seconds in any one speaker to exit from TWS mode.

Charging the Speaker:

1. Use a DC 5V/2A adapter for charging the speaker.
2. RED LED will be ON while charging.
3. Once the speaker is fully charged, the RED LED goes OFF.

