



Trolley DJ Speaker
LUMOS
ZEB



User Manual

www.zebronics.com

Dear Customer,

Thank you for purchasing **ZEB-LUMOS** Trolley DJ Speaker. Please read the user manual carefully before usage & save it for future reference.

Note:

- *Avoid the usage of this product at the high temperature and high humidity environment.*
- *Avoid the self-disassembly of the products or it results in the voiding the product's Warranty.*
- *Charge the speaker with included power cable.*
- *To know more about Terms and conditions for warranty policy, please visit*

<https://zebronics.com/pages/warranty-policy>

Features

BTv5.0 | USB | mSD | AUX | MIC IN x2 | GT IN

TWS Function

Volume, Bass & Treble Control

Mic Volume, Echo, Bass & Treble Control

Karaoke Function

Voice Changing Wireless Mic

RGB Lights

Specifications

Output Power (RMS) : 240W

Driver Size

Full Range : 30.48cm x 2

Tweeter : 8cm

Impedance

Full Range : 4Ω

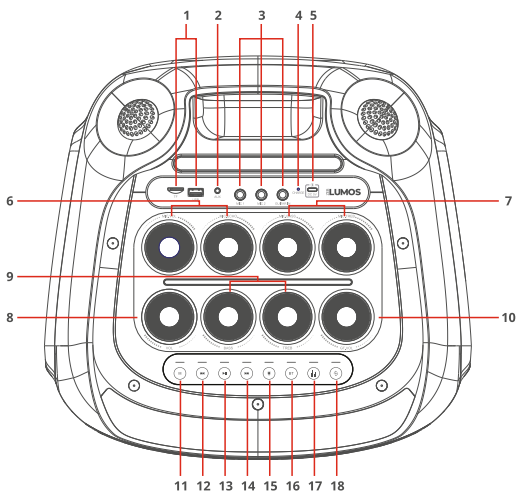
Tweeter	: 6Ω
Frequency Response	: 20Hz-20kHz
S/N Ratio	: ≥80dB
Supported Audio Formats	: MP3
Max Supported Memory Size	: 32GB (USB/mSD)
Charging Time	: 3.5h
Playback Time	: 2.5h*
BT Version	: v5.0
Product Dimension	: 41 x 38 x 102 cm (W x D x H)
Net. Weight	: 20 Kg

Package Contents:

Speaker	: 1 U
Wireless Mic	: 2 U
Charging Cable	: 1 U
Input Cable	: 1 U
Remote	: 1 U
QR Code Guide	: 1 U

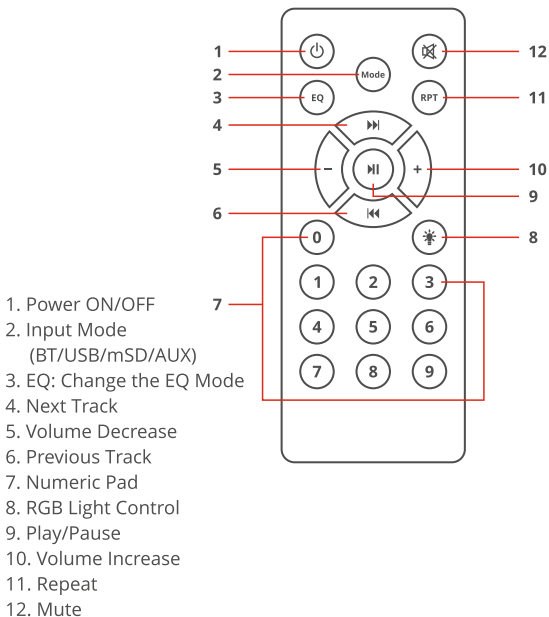
** at 50% volume (LED off)*

Control Panel Description



1. mSD Slot & USB Port
2. AUX Input
3. 6.3mm input for MIC1, MIC 2 & Guitar
4. Charging LED Indicator
5. Type-C Charging Port
6. Mic Volume & Echo controls
7. Mic Bass & Mic Treble Controls
8. Master Volume Control
9. Music Bass & Treble Controls
10. Guitar Volume Control
11. Input Mode
12. Previous Track
13. Play / Pause
14. Next Track
15. LED Modes
16. BT Mode
17. Music Spectrum Display Effect (On/Off)
18. Microphone Voice Modulation
(Neutral Mode, High Pitch Mode 1, Sound Monster Mode, High Pitch Mode 2, Reverberation Mode.)

Remote Control



General Instructions

BT Mode:

Switch the speaker to BT mode, Scan for nearby BT devices. Tap on **ZEB-LUMOS** to connect.

USB/mSD:

Insert the USB Drive/mSD Card to the speaker it will detect the USB Drive/mSD Card and the audio files from drive will be played automatically.

AUX-IN:

The speaker can be connected to an audio device using a 3.5mm cable. Connect the one end of the cable to the speaker & connect the other end of the cable to an audio source. The songs from the audio source can be heard through the speaker.

TWS Connectivity :

1. Turn on both **"ZEB-LUMOS"** speakers in BT mode.
2. Press and hold the Mode button for 3-5 seconds in any one of the speaker to initiate TWS pairing.
3. After few seconds both speakers will get connected successfully.
4. Now search for nearby BT device in you mobile phone or other source device and tap on BT name **ZEB-LUMOS** to connect.

***Note:** To exit TWS mode, press and hold the Mode button for 3-5 seconds in any one of the speaker.*

Charging the Speaker :

1. Use a DC 5V/3A adapter for charging the speaker.
2. RED LED will be ON while charging.
3. Once the speaker is fully charged, the RED LED goes OFF.

ISO 9001:2015 Certified Company

www.zebronics.com

