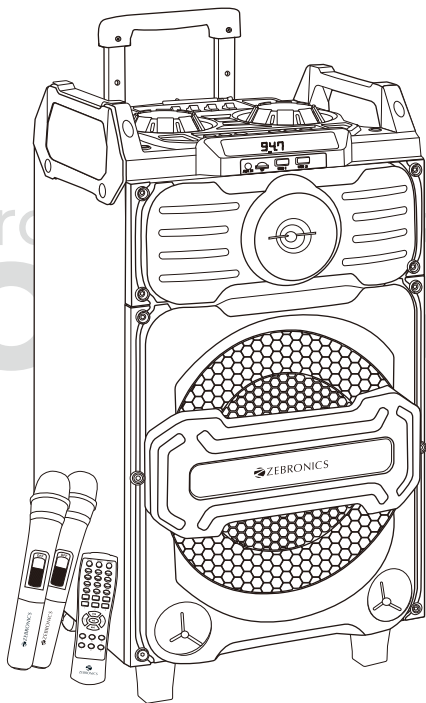


 ZEBRONICS

Trolley DJ Speaker
OCTANE



User Manual

www.zebronic.com

Thank you for purchasing Zebronics Speaker. Please read this user manual carefully before operation & save it for future reference.

Note:

- Avoid the usage of this product at the high temperature and high humidity environment.
- Avoid the self-disassembly of the products or it results in the voiding the product's Warranty.
- Turn off the speaker when the speaker is not in use.
- To know more about Terms and conditions for warranty policy, please visit

<https://zebronics.com/pages/warranty-policy>

Features:

Trolley DJ speaker

Dual Wireless BTConnectivity

Dual USB Connectivity

Wireless BT/USB/mSD/FM/AUX/Mic Input x 2

Karaoke function

5 Band Equalizer

DJ Mixer Control

LED display

LED lights with On/Off switch

25.4cm full range speaker

Remote control

Two Wireless mic

Built-in rechargeable battery

Specification:

Output power (RMS) : 48W

Driver size

Full range : 25.4cm

Tweeter : 2.54cm

Impedance

Full range : 4Ω

Tweeter : 4Ω

Frequency response : 90Hz-20kHz

S/N Ratio : ≥60dB

File format support : MP3, WMA, WAV

Line input : 3.5mm

Max. supported USB/mSD

Memory size : 32GB

FM frequency range : 87.5 MHz-108 MHz

Charging time : 7 - 8 h

Playback time : 8h*

BT name : ZEB-OCTANE A /

ZEB-OCTANE B

BT version : 5.0

Product dimension

(W x D x H) : 32.1 x 30.3 x 58.4 cm

Net. weight : 6.9 kg

**at 50% Volume (LED OFF)*

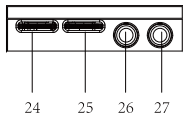
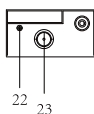
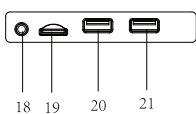
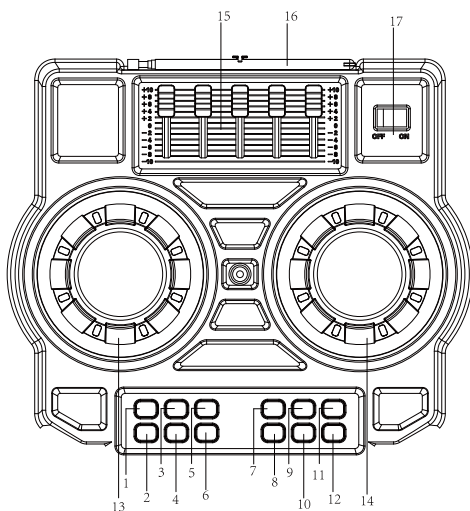
Package Contents:

DJ Speaker	: 1 U
Remote	: 1 U
Wireless MIC	: 2 U
QR Code Guide	: 1 U
Input cable	: 1 U
Power adapter	: 1 U

Display Description:

bt1	: First BT Mode
bt2	: Second BT Mode
Pause	: Song/Track is paused
Line	: The speaker is in AUX Mode
U/TF	: U/TF Card is being played in First Mode

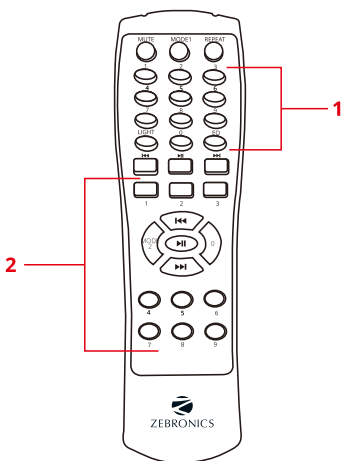
Control Panel & Ports Description



1. Previous Song/FM Channel Key for Mode 1, Press once to go to previous song/FM Channel in Mode 1
2. Mode 1 change key Press once to switch between various connectivity options (BT, FM, AUX, USB & TF Card)
3. Play/Pause Key for mode 1, Press Once to Play/Pause a song in Mode 1
4. Mode 2 Change Key Press once to switch between various connectivity options in Mode 2 (BT & USB)
5. Next mode 1/FM Channel key for Mode 1, Press once to go to next song/FM Channel in Mode 1

6. LED lights Control key Press once to on-off the RGB Lights Press & hold to change 3 modes of light effects
7. Previous Song Key for Mode 2 Press once to go to previous song in Mode 2
8. Pre-loaded Sound 1
9. Play/Pause for mode 2 Press Once to Play/Pause a song in Mode 2
10. Pre-loaded Sound 2
11. Next song Key in Mode 2 Press once to go to next song in Mode 2
12. Pre-loaded Sound 3
13. DJ MIXER Control Rotate anti clockwise for Mode 1 Rotate clockwise for Mode 2
14. Master Volume Control Rotate anti clockwise for Volume -Rotate clockwise for Volume +
15. 5 Band EQ Control
16. FM Antenna
17. Power switch
18. AUX IN
19. TF (SD) card slot
20. Mode 1 USB
21. Mode 2 USB
22. Charging indicator
23. DC IN
24. Echo Volume
25. Mic Volume
26. MIC 1 IN
27. MIC 2 IN

Remote Control



1. Grey part to control **ZEB-OCTANE A**

2. Orange part to control **ZEB-OCTANE B**

Number 0-9 : Press any key to choose the track

LIGHT : Press once for light on/off; Press and hold to change light modes;

EQ : Equalizer preset

MODE 1 : Mode Change Key (BT, FM, AUX, USB & TF Card)

MODE 2 : Mode Change Key (BT & USB)

REPEAT : Repeat

MUTE : Mute

⏮ : Previous track when USB/SD/BT inputs

⏸ : Play & Pause

⏭ : Next track when USB/SD/BT inputs

General Instructions

BT connectivity

- Turn on the speaker.
- Make sure that the Mode 1 or Mode 2 is in BT Mode.
- In your mobile, search for BT Name **ZEB-OCTANE A** or **ZEB-OCTANE B** for Mode 1 or Mode 2 Respectively.
- Tap on the preferred BT to connect.

FM Connectivity:

- Switch the speaker to FM Mode by pressing the Mode 1 Key.
- Once the speaker is in FM Mode, Press & hold the Play/Pause key to auto scan the available FM Channels.
- Once the scanning is done, the speaker starts to play the 1st saved FM Channel.

AUX Function:

- Switch the Speaker to AUX Mode by press the Mode 1 Key.
- When the speaker is in AUX Mode, Connect one end of the AUX Cable to the speaker & connects the other end to an Audio Source.
- The Songs played from the audio source can be heard through the speaker.

USB Mode:

- Insert the USB to USB 1 or USB 2 of the speaker.
- The speaker will detect the USB automatically & the songs from the USB will be played.

Note: USB 1 & USB 2 is for Mode 1 & Mode 2 Respectively.

TF Card Mode:

- Insert the TF Card to the speaker
- The speaker will detect the TF Card automatically & the songs from the TF Card will be played.

Note: TF Card will work only for Mode 1.

Charging Instruction:

Connect the pre-included charger to the speaker & connect the other end to 230V power supply.

Charging Indication:

Red LED on the rear of the speaker glows.

