

ZEBRONICS

Trolley DJ Speaker

ZEB **OCTANE** *Plus*



User Manual

www.zebronic.com

Dear Customer,

Thank you for purchasing **ZEB-OCTANE PLUS** (*Trolley Dj Speaker*). Please read this user manual carefully before operation & save this user manual for further reference.

Note:

- Avoid the usage of this product at the high temperature and high humidity environment.
- Avoid the self-disassembly of the products or it results in voiding the product's Warranty.
- Charge the speaker with included power cable.

To know more about Terms and conditions for warranty policy, please visit

<https://zebronics.com/pages/warranty-policy>

Features:

- BT v5.0 | USB | mSD | FM | AUX |
MIC IN x 2
- Karaoke Function
- MIC Recording
- LED display
- Remote control
- Dual Wireless mic
- Built-in rechargeable battery
- TWS Function
- Retractable Handle with Wheels

Specification:

Output Power (RMS) :100W

Driver Size

Full Range : 38.1cm

Tweeter : 2.54cm

Impedance

Full Range : 2Ω

Tweeter : 16Ω

Frequency Response : 65Hz-18kHz

S/N Ratio : ≥60dB

File Format Support

(USB/mSD) : Mp3, WMA, WAV

Line Input : 3.5mm

Max Supported

Memory Size : 32GB (USB/mSD)

FM Frequency Range : 87.5 MHz - 108 MHz

Charging Time : 8h

Playback Time : 6h*

BT Name : ZEB-OCTANE PLUS

BT Version : v5.0

Product Dimension

(W x D x H) : 42 x 36.5 x 67 cm

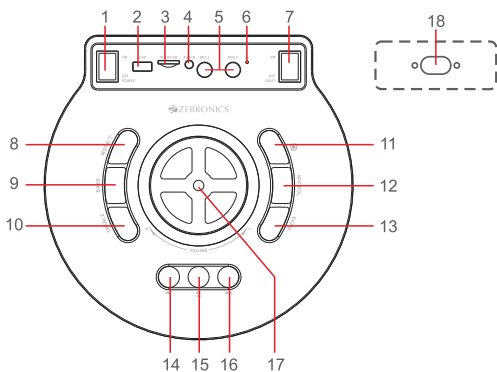
Net.Weight : 10.2 kg

** at 50% volume (LED OFF)*

Package Contents:

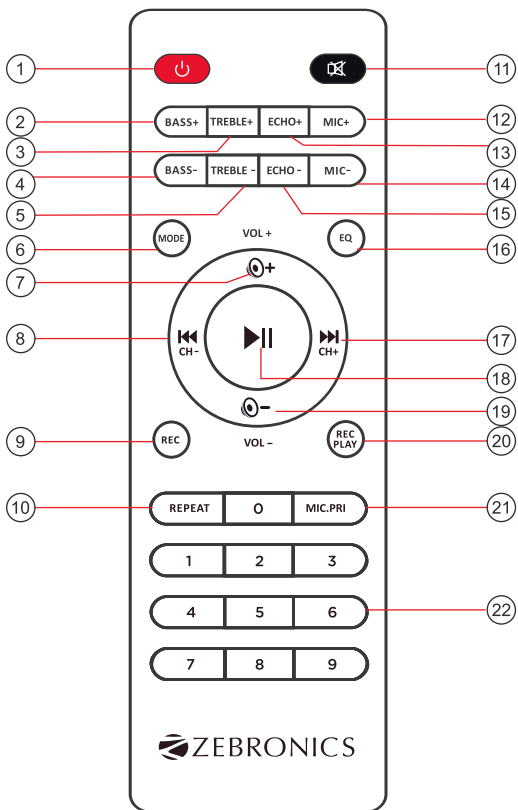
Speaker	: 1 U
Remote	: 1 U
Wireless Mic	: 2 U
Power Cord	: 1 U
Input cable	: 1 U
QR Code Guide	: 1 U

Control Description



1. LED Light ON/OFF switch
2. USB port
3. mSD slot
4. AUX IN
5. Microphone input port 1 and port 2
6. Charging indicator
7. Power ON/OFF switch
8. Short press Input mode change and Long press to switch LED Light modes.
9. Short press this button and then rotate the volume knob to adjust the music bass.
10. Short press this button and then rotate the volume knob to adjust the music treble.
11. Long press the button for 3-5 seconds to record, short press to stop recording.
12. Short press this button and then rotate the volume knob to adjust the Mic volume.
13. Short press this button and then rotate the volume knob to adjust the Mic echo.
14. Previous Track / FM channel
15. Play / Pause in USB, mSD & BT or Long press for TWS Connection
16. Next Track / FM channel
17. Volume knob
18. AC 220-240V/50Hz input

Remote Control



1. Standby/Awake
2. Music bass +
3. Music treble +
4. Music bass -
5. Music treble -
6. Input modes
7. Volume +
8. Previous track/FM channel & Long press for music rewind.
9. Recording
10. Repeat music (works under USB / mSD modes)
11. Mute
12. Mic volume +
13. Mic echo +
14. Mic volume -
15. Mic echo -
16. EQ
17. Next track/FM channel & Long press for music forward.
18. Play/Pause
19. Volume -
20. Play the recorded file
21. Mic priority ON/OFF
22. Numeric keys (0-9) for selecting tracks in USB/mSD & channels in FM

General Instructions

BT Mode

Switch the speaker to BT mode, Scan for nearby BT devices . Tap on BT Name **“ZEB-OCTANE PLUS”** to connect.

USB/mSD Mode

Insert the USB Drive/mSD Card to the speaker it will detect the USB Drive/mSD Card and the audio files from drive will be played automatically.

FM Radio

Switch the speaker to FM, Now long Press the Play/Pause Key to scan the available FM channels. Once the scanning is done the speaker will start playing the first scanned channel.

AUX-IN

The speaker can be connected to an audio device using a 3.5mm cable. Connect the one end of the cable to the speaker & connect the other end of the cable to an audio source. The songs from the audio source can be heard through the speaker.

TWS Connectivity:

- Turn on both “ZEB-OCTANE PLUS” speakers in BT mode.
- Press and hold the Play/Pause button for 3-5 seconds in any one of the speaker to initiate TWS pairing.
- After few seconds both speakers will get connected successfully.
- Now search for nearby BT device in you mobile phone or other source device and tap on BT name **ZEB-OCTANE PLUS** to connect.

***Note:** To exit TWS mode, press and hold the Play/Pause button for 3-5 seconds*

Recording Function:

To record mic input, first plug-in a USB/mSD card into the speaker, it will act as a storage device. Press the REC key on the remote to start/stop recording. Once the song or voice is recorded through the Mic, press the REC PLAY key to play the recorded file.

ISO 9001:2015 Certified Company

www.zebronics.com

