



Trolley DJ Speaker

ZEBRONICS THUMP 350



User Manual

www.zebronics.com

Thank you for purchasing the **ZEB-THUMP 350** Trolley DJ Speaker. Please read the user manual carefully before usage & save it for future reference.

Note:

- Avoid the usage of this speaker at the high temperature and high humidity environment.
- Avoid the self-disassembly of the product or it will result in voiding the product warranty.

Features

BT v5.0 / USB / mSD / AUX / FM / Mic In x 2

LED Display

TWS Function

Dual 6.3mm Microphone input

Media/Volume control

Volume, Bass & Treble Control

Mic Volume / Echo Control Knob

Wireless MIC

Karaoke/Recording

Retractable Handle with Wheels

RGB Lights with control button

Specifications

Output power (RMS) : 40W

BT Version : 5.0

Driver size : 30.48cm + 2.52cm

Speaker Impedance : 4Ω + 6Ω

Frequency response : 60Hz-18kHz

S/N Ratio : ≥65dB

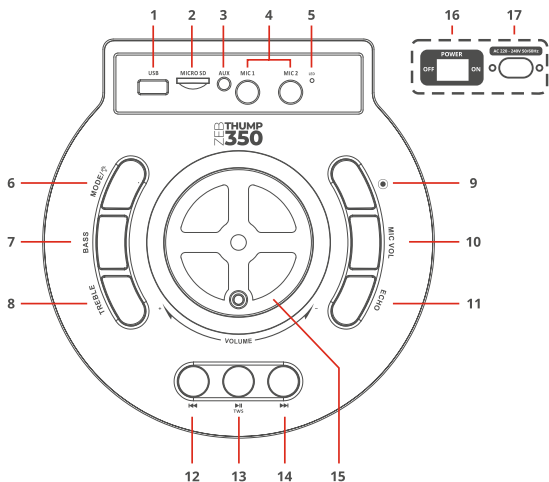
Max Supported USB/ mSD memory size	: 32GB
FM Frequency range	: 87.5MHz - 108MHz
Supported Audio formats	: MP3 / WAV / WMA
Charging time	: 8h
Playback time	: 12h*
Product Dimension (W x D x H)	: 34.5 x 32.5 x 52.5 cm
Net. Weight	: 6.17 Kg

Package Content

Speaker	: 1 U
Input Cable	: 1 U
Remote Control	: 1 U
Wireless MIC	: 1 U
Microphone Clamp	: 1 U
Power Cord	: 1 U
QR Code Guide	: 1 U

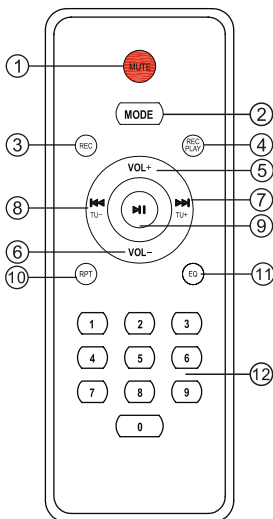
**at 50% Volume (LED OFF)*

Control Panel Description



1. USB PORT
2. MICRO SD SLOT
3. AUX IN
4. MIC INPUT PORT
5. LED INDICATOR
6. MODE / LED BUTTON
7. BASS CONTROL
8. TREBLE CONTROL
9. RECORD BUTTON
10. MIC VOLUME CONTROL
11. ECHO CONTROL
12. PREVIOUS BUTTON
13. PLAY / PAUSE / TWS BUTTON
14. NEXT BUTTON
15. VOLUME CONTROL KNOB
16. POWER ON / OFF SWITCH
17. AC INPUT

Remote Control



1. Mute/Unmute
2. Mode Change Key
3. Recording Key
4. Play Recorded File
5. Volume +
6. Volume -
7. Next Track/FM Channel Key
8. Previous Track/FM Channel Key
9. Play/Pause Key
10. Repeat Key
11. EQ Preset
12. Numeric Selection (0-9)

General Instructions

BT connectivity

Switch the speaker to BT mode, scan for nearby BT devices in your mobile. Tap on **ZEB-THUMP 350** to connect.

TWS Connectivity

When two speakers are in Bluetooth mode, short press **TWS** button on one of the speaker to enter TWS mode, it will search and connect with another speaker automatically. Now turn ON BT on your phone. Search for nearby devices and pair with **ZEB-THUMP 350**. Now you can play audio in TWS mode.

Note: Requires two ZEB-THUMP 350 speakers for using TWS feature.

USB/Micro SD Mode

Insert the USB/Micro SD card to the speaker. The speaker will detect the USB/Micro SD card automatically & the songs from it will be played.

FM Radio

Switch the speaker to FM, In FM Mode, long Press the **Play/Pause** Button to scan the available FM channels. Once the scanning is done, The speaker will start playing the first scanned channel.

AUX-In

The speaker can be connected to an audio device using a 3.5mm cable. Connect the one end of the cable to the speaker & connect the other end of the cable to an audio source. The songs from the audio source can be heard through the speaker.

Recording Function

To record MIC input, first plug-in a USB/Micro SD card into the speaker which will act as a storage device. Press the **REC.** button on the remote to start/stop recording. Once the MIC input is recorded, press the **REC. PLAY** button to play the recorded file.

Note: Speaker can record the Mic input

Charging Indication:

Low Charge : Red LED Flashing

Full Charge : Red LED Glows

ISO 9001:2015 Certified Company

www.zebronics.com

