



Trolley Speaker

ZEB THUMP 800



User Manual

www.zebronics.com

Dear Customer,

Thank you for purchasing **ZEB-THUMP 800** Trolley Speaker. Please read the user manual carefully before usage & save it for future reference.

Note:

- Avoid the usage of this product at the high temperature and high humidity environment.
- Avoid the self-disassemble of the product as it results in the failure of Warranty.
- Turn off the speaker if the speaker is not being used for a long period of time.
- Please charge the product with power adapter output rated voltage DC 5V.

Features

Wireless BT

Supports USB & mSD

Built-in FM Radio

AUX Input

TWS Function

Dual 6.3mm Microphone input

Guitar Input Port

Media / Volume control

Built-in Rechargeable battery

Wireless MIC

RGB Lights with control Switch

LED display

Specifications

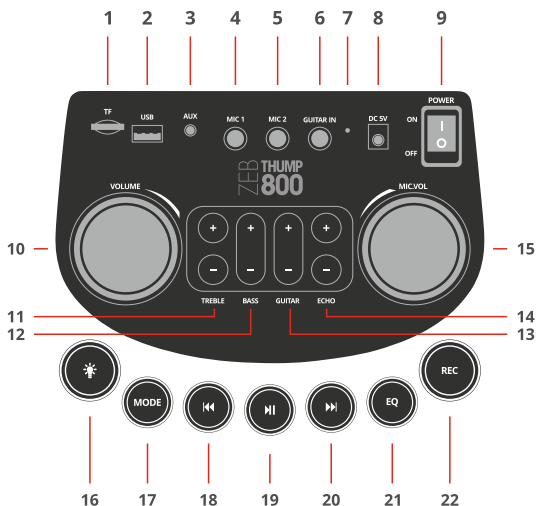
Output Power (RMS)	: 70W(35W+35W)
BT Version	: v5.0
Driver Size	: (20.32cm x 2) + 7cm
Speaker Impedance	: 4Ω + 10Ω
Frequency Response	: 100Hz-20kHz
S/N Ratio	: ≥ 80dB
Max Supported USB/mSD memory size	: 32GB
FM Frequency range Supported	: 87.5 MHz - 108 MHz
Audio formats	: Mp3
Charging time	: 6h
Playback time	: 7h*
Product Dimension (W x D x H)	: 31 x 32 x 69.5 cm
Net. Weight	: 8.3kg

Package Contents:

Speaker	: 1 U
Wireless Mic	: 1 U
Charging Cable	: 1 U
AUX cable	: 1 U
Remote	: 1 U
QR Code Guide	: 1 U

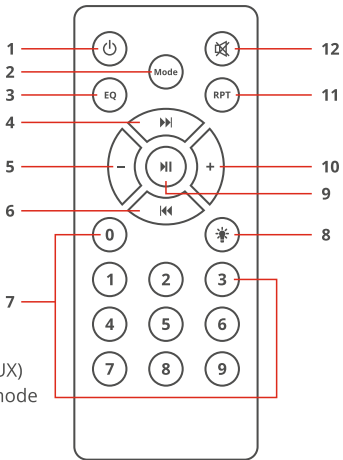
* at 50% volume (with LED off)

Buttons Description



1. mSD card
2. USB port
3. AUX
4. MIC1 input port
5. MIC2 input port
6. Guitar input port
7. LED indicator
8. DC 5V
9. Power ON/OFF Switch
10. Volume control
11. Treble +/- controls
12. Bass +/- controls
13. Guitar +/- controls
14. Echo +/- controls
15. Mic volume control
16. RGB light control
17. Input mode
(BT/USB/mSD/FM/AUX)
18. Previous track/channel
(in FM mode)
19. Play-Pause/Scan
20. Next track/channel
(in FM mode)
21. EQ: change the EQ mode
22. REC: Record function

Remote Control



1. Power ON/OFF
2. Input mode
(BT/USB/mSD/FM/AUX)
3. EQ: Change the EQ mode
4. Next track/channel
5. Volume decrease
6. Previous track/channel
7. Numeric pad
8. RGB light control
9. Play-Pause
10. Volume Increase
11. Repeat
12. Mute

Instruction for Use:

Button Function:

1. Turn the speaker ON/OFF using the power switch.
2. Press mode button to change it to BT mode.
3. Use Master volume control knob to increase / decrease the volume.
4. Use MIC volume control knob to increase / decrease the MIC volume.
5. Press Prev/Next button to control the media.

6. Press Play-Pause button to play track or pause track being played.

Pairing with the Bluetooth speaker:

1. Power ON the Speaker and you will hear the indication tone for the BT mode.
2. Turn ON BT on your phone or tablet and search for the nearby BT compatible devices.
3. Search for the BT name "**ZEB-THUMP 800**" and tap to connect it.

Micro SD / USB Mode:

Once the speaker is ON, insert the micro SD card / USB drive to the respective ports of the "**ZEB-THUMP 800**" and the speaker will automatically detect the track from the USB drive/Micro SD card and play.

Press Prev/Next button to control the media. Use the Master volume knob to control the volume of the speaker.

FM Radio:

Once the speaker is turned ON, please switch the speaker to FM mode using the Mode button, Press Play-Pause button to auto scan the available FM channels.

Use Prev/Next button to change the FM channels.

***Note:** For better FM reception, Please use the provided AUX Cable.*

TWS Function:

- Switch ON two **“ZEB-THUMP 800”** speakers you want to pair.
- Press & hold the Mode button for 5-10 seconds in any one speaker to activate TWS mode.
- After few seconds, both the speakers will be connected successfully.
- Now, search for nearby BT device in your mobile and Tap on the BT name **“ZEB-THUMP 800”** to connect.
- To exit TWS mode, Press & hold mode button for 5-10 seconds in any one speaker to exit from TWS mode.

Charging the Speaker:

1. Connect the charging cable to DC-5V port of the speaker and insert the other end into a DC 5V charging power source/adaptor.
2. Red LED blinks indicating that the battery is being charged.
3. Red LED goes OFF after speaker gets fully charged.

ISO 9001:2015 Certified Company

www.zebronics.com

