



ZEBRONICS
ALWAYS AHEAD

ZEB Mini Soundbar
VITA PRO



User Manual

www.zebronics.com

Thank you for purchasing **ZEB-VITA PRO** BT speaker. Please read this user manual carefully before operation & save it for future reference.

Note:

- Avoid the usage of this product at the high temperature and high humidity environment.
- Avoid the self-disassembly of the products or it results in voiding the product's Warranty.
- Turn off the speaker when it is not in use.

To know more about Terms and conditions for warranty policy, please visit <https://zebronics.com/pages/warranty-policy>

Features:

Wireless BT

Supports USB & mSD card

Built-in FM Radio

AUX Input

Call Function

Media / Volume control

Built-in Rechargeable battery

Dual Passive Radiators

TWS Function

Wall Mountable

RGB LED Lights

Specifications:

Output power (RMS) : 24W (12W +12W)

BT version : 5.1

Driver size : 52mm x 2

Speaker Impedance : 4Ω

Frequency response : 100Hz-18kHz

S/N ratio : ≥70dB

Max. supported USB/

mSD memory size : 32GB

Supported

audio formats : MP3

Charging time : 3.5 H

Playback time : 10 H*

Product dimension : 47 x 6.7 x 6.5 cm

(W x D x H)

Net. weight : 920g

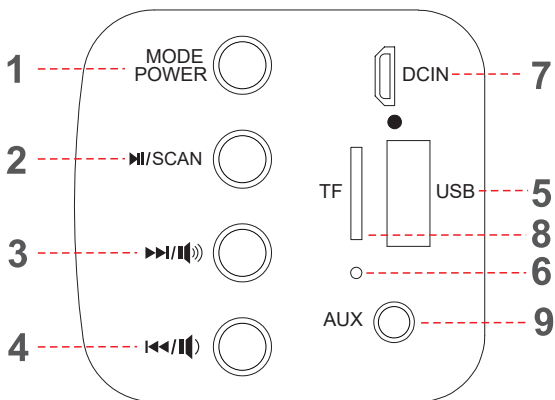
Package Contents

Speaker : 1 U

Charging cable : 1 U






QR code guide : 1 U

Button Description:



1. Power / Mode Button & TWS mode
2. Play/Pause, Scan Button, LED Modes & LED on/off
3. Next / Volume+ Button
4. Prev. / Volume- Button
5. USB port
6. Microphone
7. Micro USB Charging Port
8. Micro SD card Port
9. AUX port

Button functions

1. Press the MODE button to change the input mode of the speaker. Long press the MODE button to power ON/OFF the speaker.
2. Short press the  button to change the Next track or channel when in BT/USB mode or FM mode respectively. Long press the button to Increase the speaker volume.
3. Short press the  button to go to the Previous track or channel in BT/USB mode or FM mode respectively. Long press the button to decrease the speaker volume.
4. Press the  button to Play/Pause the track being played. Long press the same button to scan for FM channels in FM mode.
5. During calls, press the  button to attend/end a call. Long press the  button to reject an incoming call.
6. Double tap on MODE button to activate TWS Mode
7. Long press SCAN button to change LED light modes or on/off LED lights

Instructions for Use:

Charging the Speaker

1. Connect the USB charging cable to the Micro USB Charging port of the speaker and insert the other end into a USB Power source/adaptor.
2. Red LED glows indicating that the battery is being charged. The Red LED will turn off once it is fully charged.

Bluetooth mode

1. Power ON the speaker until you hear the indication tone for Bluetooth mode.
2. Switch ON BT in your phone or tablet and search for nearby BT devices.
3. Search for the BT name **"ZEB-VITA PRO RGB"** and tap to connect it.

Micro SD / USB mode

Insert the Micro SD card / USB device to the respective ports of ZEB-VITA PRO and the speaker would automatically start playing songs from the Micro SD card/USB device.

AUX mode

Connect the speaker to an audio source (Phone/Laptop) using a 3.5mm to 3.5mm AUX cable. Once connected, speaker automatically changes to AUX mode and there after audio

can be streamed via the speaker from the connected source.

FM mode

Switch the speaker into FM mode. Long press the **▶||** button, to start scanning, for FM channels. Once scanning is complete, press the **◀◀ / ▶▶** button to change the channels.

TWS function (requires two speakers)

- a. Keep both speaker in Bluetooth mode.
- b. Press play/pause button for 2 secs on either of the speakers and a notification tone for the TWS function can be heard.
- c. Now switch ON the phone Bluetooth to search for "**ZEB-VITA PRO RGB**" and tap to pair it.
- d. If you would like to disconnect the two speaker, press play/pause button for 2 secs.

ISO 9001:2015 Certified Company

www.zebronics.com

