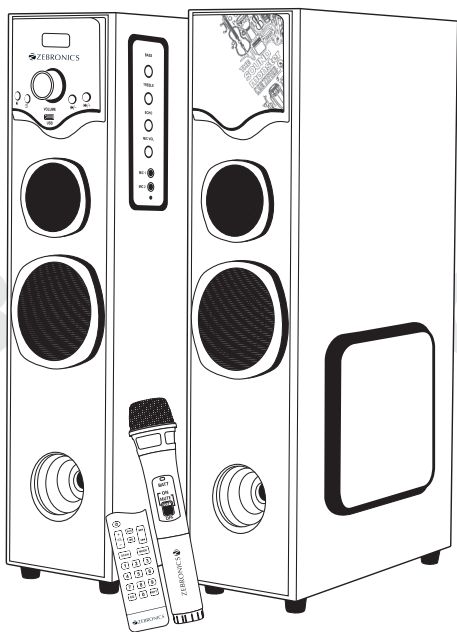


# ZEBRONICS

## ZEB Tower Speaker **BT808RUCF**



## User Manual

[www.zebronics.com](http://www.zebronics.com)

Thank you for purchasing **ZEB-BT808RUCF** Tower Speaker. Please read the user manual carefully before usage & save it for future reference.

**Note:**

- Avoid the usage of this product at the high temperature and high humidity environment.
- Avoid the self-disassembly of the product as it results in the failure of Warranty.

**Features**

Wireless BT/USB/FM/AUX

LED display

2 x 15.24cm Subwoofer

Remote control

Wireless Microphone

Karaoke

3 way Design

Powerful bass

Bass, Treble, Echo & Mic Volume Control Knob

Dual microphone input jacks

**Specification**

Output Power (RMS) : 50W+50W=100W

Driver size

Subwoofer : 15.24cm x 2

Mid : 10.16cm x 2

Tweeter : 6.35cm x 2

Impedance

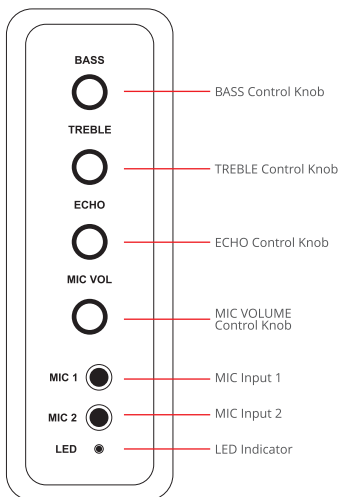
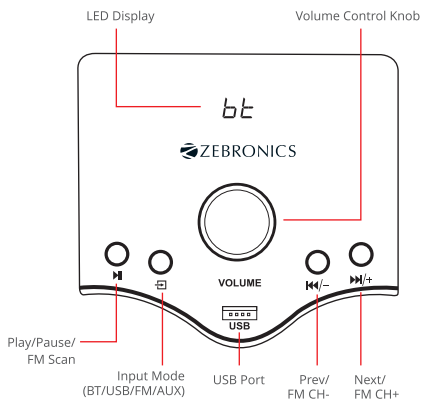
Subwoofer : 8Ω

Mid	: 6Ω
Tweeter	: 6Ω
Frequency response	: 20Hz-20kHz
S/N Ratio	: ≥70dB
Separation	: ≥85dB
File format support	: MP3 (USB)
Line input	: 2ch RCA
Max. supported USB memory size	: 32GB
FM frequency scan range	: 88MHz - 108MHz
BT Name	: ZEB-BT808RUCF
BT version	: 5.0
Product dimension	: 165 x 330 x 625 mm (W x D x H)
Net. Weight	
(with amplifier)	: 7.5kg
(w/o amplifier)	: 5.5kg

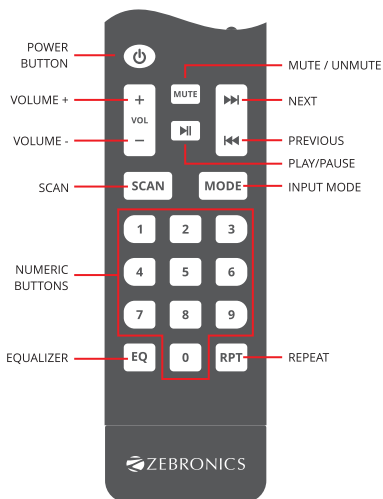
### **Package content**

Speaker	: 2 U
Remote	: 1 U
Input Cable	: 1 U
Wireless Microphone	: 1 U
QR Code Guide	: 1 U

## Control Panel Description:



## Remote Control



**Power :** standby ON/OFF

**Numeric Pad (0-9) :** To select particular track from USB drive directly or to enter FM Channel frequency directly

**Vol+ :** To increase the volume

**Prev :** To select the previous tracks in BT/USB or to Tune in FM mode

**Vol- :** To decrease the volume

**RPT :** To Switch between available repeat modes

**Scan :** To scan all FM channels available

**Mode :** Mode Selection (BT/AUX/USB/FM)

**EQ :** Short press to control BASS and short Press again to control TREBLE. Long Press to use Equalizer

**Play/Pause** To Play / Pause the current track. To switch next channel in FM mode

**Next :** To select the next tracks in BT/USB or to Tune in FM mode

**Mute** To Mute / Unmute

## General Instructions

**BT Mode:** Switch the source to BT mode, scan for nearby BT devices on your device. Tap on "**ZEB-BT808RUCF**" to connect.

**USB Mode:** Insert the USB drive to the slot provided on the subwoofer. It will detect the USB and the audio files from drive will be played automatically.

**FM Radio:** Switch the source to FM mode. Press the **SCAN** button in the remote to scan for the available FM channels. On the Subwoofer Long press **Play/Pause** button to scan for the available FM channels .Once the scanning is done, the first scanned channel will begin to play. The **Next/Previous** button in the subwoofer or **Play/Pause** button in the remote can be used to change the FM channels.

**AUX-IN:** The device can be connected to an audio device using an RCA to 3.5mm cable. Connect the one end of the cable to the speaker and the other end to an audio source. The songs from the audio source can be heard through the speaker.

ISO 9001:2015 Certified Company

[www.zebronics.com](http://www.zebronics.com)

