



Gamer's Dream



AIO Cooler
AIO240VB/W
ZEB

www.zebronics.com

**User
Manual**

Thank you for purchasing **ZEB-AIO240VB/W** AIO Cooler. Please read this user manual carefully and keep it for future reference.

Note

- *Avoid the usage of this product at the high temperature and high humidity environment.*
- *Avoid the self-disassembly of the products or it results in the voiding the product's Warranty.*
- *Please wipe the existing thermal compound which is present on the CPU and install the Included thermal compound for obtaining the best Cooling efficiency.*

To know more about Terms and conditions for warranty policy, please visit

<https://zebronics.com/pages/warranty-policy>

Features

- 240mm AIO Cooler
- 67.96 CFM Fans
- ARGB Sync
- ARGB CPU Block
- 2 x 120mm Fans

Specifications

Form Factor of the

AIO Cooler : 240mm

Product Weight : 1 Kg

CPU Socket

Supported CPU Models

Intel : LGA 115X / 1200 / 1366 /
1700 / 2011 / 2066

AMD : FM3 / FM2 / Fm1 /
AM2 / AM2+ / Am3 /
AM3+ / AM4 / Am5

Fan Specs

No. of Fans : 2 x 120mm

Power

Consumption : 2.16W

Noise Level : 15-35db

MTBF : 30000 Hours

Airflow Rate : 67.96 CFM

Speed (Max.) : 1800RPM

RGB/ARGB Sync : ARGB Support

Power

Connector : 4-Pin Connector |
Length : 41cm

LED Connector : 3-Pin Connector |
Length : 43cm

Dimensions : 12 x 12 x 2.5 cm
(W x D x H)

Pump Specs

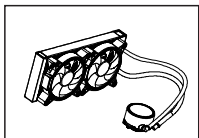
Rated Voltage /	
Current	: 12V / 0.3A
Power	
Consumption	: 3.6W
Noise Level	: 30db
MTBF	: 30000 Hours
Speed (Max.)	: 2500RPM
Tube Type	: Braided Rubber Tube
Tube Length	: 35cm
Tube Diameter	: 1.2cm
Power	
Connector	: 3-Pin Power Connector Length : 35cm
LED Connector	: 3-Pin ARGB Connector Length : 50cm
Dimensions	: 9 x 9 x 4.5cm (W x D x H)

Radiator Specs

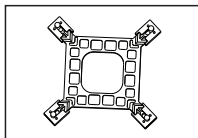
Material of the Heat	
Sink	: Aluminium
Material of the Heat	
Transfer Pipe	: Aluminium
Dimensions	: 28 x 12 x 2.7 cm (W x D x H)

Package Contents

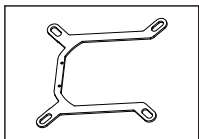
A CPU Cooler



B Intel Backplate

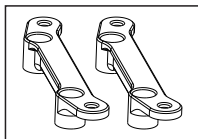


C Bracket

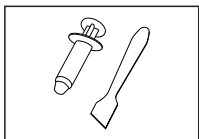


Attached to CPU Block already

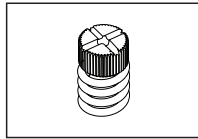
D AMD Bracket



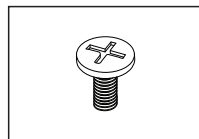
E Thermal paste with spreader



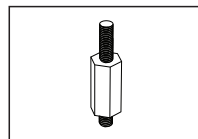
G1 4 x Mounting Nuts



G2 4 x AMD Bracket Screws



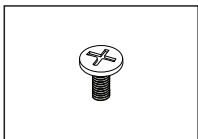
G3 4 x Intel Screw Studs



G4 4 x Intel bracket screws (LGA2011)



G5 Radiator Mounting screw set.



For INTEL SETUP

Installation Instructions:

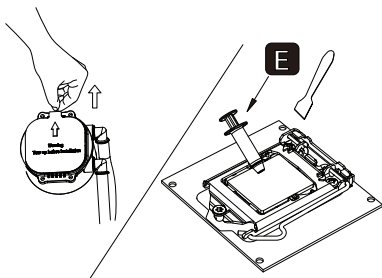
1. Applying the Thermal Paste:

Step1 : Remove the existing Thermal compound which is present on the CPU.

Step2 : Apply the included thermal paste on the CPU as per your CPU requirement.

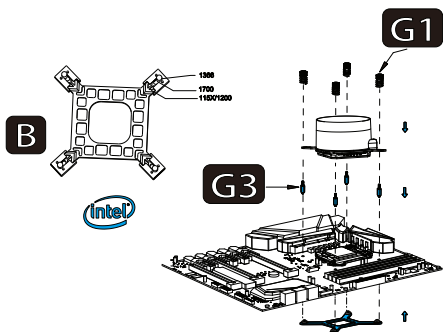
Step3 : Using the include Thermal paste spreader, Spread the applied thermal paste evenly on the surface of the CPU.

Step4 : Wipe of the excess Thermal compound which is present on the CPU. Now peel of the protective cover which is present under the conductive plate of the CPU Block.



2. MOUNTING THE CPU BLOCK

For LGA 1700 / LGA 1200 / LGA115X Models



Step 1 : Take the included Intel Mounting Backplate(B), Adjust the mounting points according to your motherboard layout. Now align it to the rear side of the motherboard.

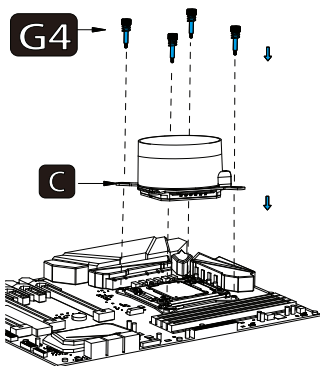
Step2 : Align the mounting studs(G3) to the motherboard as shown in the reference image. Fasten the Mounting studs to the Mounting bracket which is placed on the rear side of the motherboard.

Step3 : Align the CPU block to the mounting studs(G3) (as shown in the reference image).

Step4 : Align the mounting Nuts(G1) to the CPU block (as shown in the reference image).

Step 5 : Using the required tools. Fasten the Mounting nuts(G1) along with the CPU block to the mounting Studs(G3) which is placed on the motherboard.

For LGA2011 model



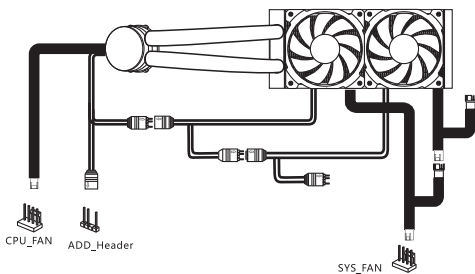
Step1 : Take the included Intel Mounting Backplate(B), adjust the mounting points according to your motherboard layout. Now align it to the rear side of the motherboard.

Step2 : Align the CPU block to the motherboard (as shown in the reference image).

Step3 : Align the mounting Screws(G4) to the CPU block (as shown in the reference image).

Step 4 : Using the required tools. Fasten the Mounting screws(G4) along with the CPU block to the mounting bracket(B) which is placed on the rear side of the motherboard.

3. Connection of AIO Cooler

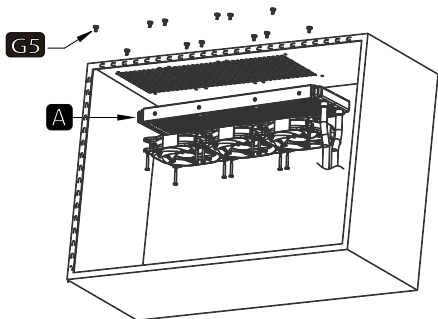


Step1 : Combine the 4 - pin fan connector of the AIO cooler together and Plug the combined 4 - pin Fan connector to the System fan header of the motherboard.

Step2 : Combine the 3 – pin ARGB fan connector and 3 – pin ARGB CPU Block connector. Now plug the Combined ARGB connector to the 3 – pin connector to the ARGB header of the Motherboard.

Step3 : Connect the Power connector CPU Block connector to the CPU Fan Header which is present on the motherboard.

4. Mounting the AIO Cooler setup



Step1 : Align the Radiator block of the AIO cooler to the mounting points of the Gaming cabinet.

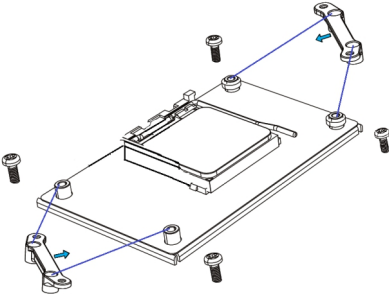
Step2 : Place the mounting screws on the mounting points of the AIO cooler.

Step3 : By using the required tools, Fasten the mounting screws to the AIO cooler via the cabinet. Ensure to apply pressure evenly for optimal placement.

Note: The Image is for mounting reference only

For AMD SETUP

1. Combining the CPU Mounting Brackets

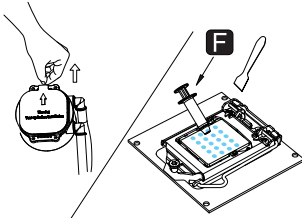


Step1 : Align the AMD mounting brackets (D) To the CPU mounting points of the motherboards.

Step2 : Align the AMD mounting screws (G2). To the mounting points of the motherboard.

Step3 : Using the required tools, Fasten the AMD mounting screws into the mounting points of the motherboard via the AMD mounting plate (as shown in the Reference image).

2. Applying the Thermal Paste



Step1 : Remove the existing Thermal compound which is present on the CPU

Step2 : Apply the included thermal paste on the CPU as per your CPU requirement.

Step3 : Using the include Thermal paste spreader, Spread the applied thermal paste evenly on the surface of the CPU.

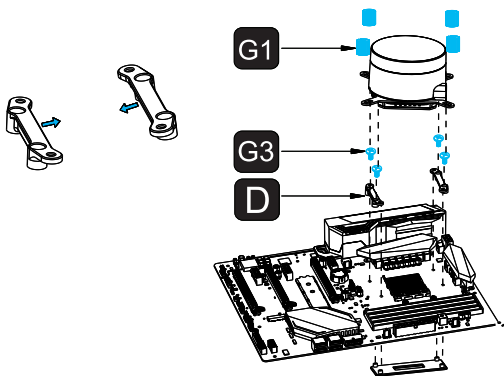
Step4 : Wipe of the excess Thermal compound which is present on the CPU. Now peel of the protective cover which is present under the conductive plate of the CPU Block.

3. Mounting CPU Block

Step1 : Align the intel screw stud to the mounting points of the AMD Mounting Bracket and fasten the mounting stud to the mounting points of the AMD bracket.

Step2 : Align the CPU block to the Intel screw studs. Now place the CPU block on the CPU via the mounting studs.

Step3 : Now align the Intel mounting Nuts to the Intel screw Stud and Fasten them with even pressure until the CPU block is intact

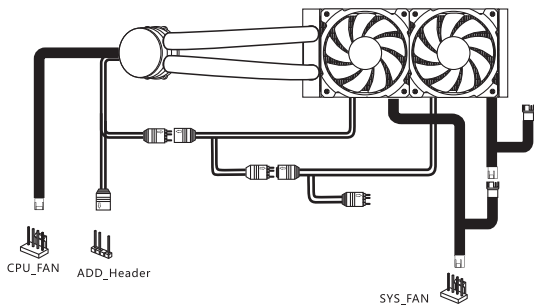


4. Connection of AIO Cooler

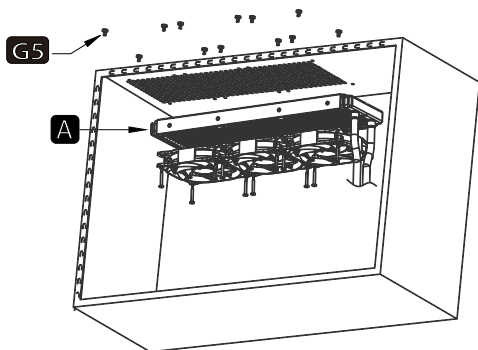
Step1 : Combine the 4 – pin fan connector of the AIO cooler together and Plug the combined 4 – pin Fan connector to the System fan header of the motherboard.

Step2 : Combine the 3 – pin ARGB fan connector and 3 – pin ARGB CPU Block connector. Now plug the Combined ARGB connector to the 3 – pin connector to the ARGB header of the Motherboard.

Step3 : Connect the Power connector CPU Block connector to the CPU Fan Header which is present on the motherboard.



5. Mounting the AIO Cooler setup.



Step1 : Align the Radiator block of the AIO cooler to the mounting points of the Gaming cabinet.

Step2 : Place the mounting screws on the mounting points of the AIO cooler.

Step3 : By using the required tools, Fasten the mounting screws to the AIO cooler via the cabinet. Ensure to apply pressure evenly for optimal placement.

Note : *The Image is for mounting reference only Please use a compatible gaming cabinet to mount the AIO cooler.*

We suggest you to visit our Below link to buy the optimal Gaming chassis for your AIO Cooler.

<https://zebronics.com/collections/premium-gaming-chassis>



ISO 9001:2015 Certified Company
www.zebronics.com