



Gamer's Dream

ZEB AIO Cooler  
**AIO360AW**



ZEB AIO Cooler  
**AIO360AB**



**User Manual**

[www.zebronics.com](http://www.zebronics.com)

Thank you for purchasing **ZEB-AIO360AW / ZEB-AIO360AB** AIO Cooler. Please read this user manual carefully and keep it for future reference.

### **Note**

- *Avoid the usage of this product at the high temperature and high humidity environment.*
- *Avoid the self-disassembly of the products or it results in the voiding the product's Warranty.*
- *Please clean off the existing thermal compound which is present on the CPU and install the Included thermal compound for obtaining the best Cooling efficiency.*

*To know more about Terms and conditions for warranty policy, please visit*

*<https://zebronics.com/pages/warranty-policy>*

### **Features**

- 360mm AIO cooler
- ARGB sync
- 67.96 CFM Fans
- Supported Intel processors:-LGA 115X/1200/1366/17XX/2011/2066
- Supported AMD processors:- FM3/FM2/FM1/AM2/AM2+/AM3/AM3+/AM4 /AM5

- ARGB Sync
- ARGB CPU Block
- 3 x 120mm Fans

## Specifications

Form factor of the  
AIO cooler : 360mm

## CPU Socket

Supported CPU models

Intel : LGA 115X / 1200 / 1366 /  
1700 / 2011 / 2066

AMD : FM3 / FM2 / FM1 /  
AM2 / AM2+ / AM3 /  
AM3+ / AM4 / AM5

## Fan Specs

No. of Cooling Fans

Included : 3 x 120mm Fans

Noise level of

the fan : 15-35db

Power Consumption

of the Fan : 2.16W

Rated Watts : 2.16W

MTBF of the FAN : 30000 hours

Speed of the Fan : 1800RPM (max)

Fan Dimensions : 12x12x2.5 cm (WxDxH)

Type of Fan Connector

Used : 4 Pin Fan Connector

RGB / ARGB Sync

Support : ARGB Support

Fan power connector

and connector length : 4-Pin power

Connector; Female - 49cm | Male - 56cm

Fan LED connector

and connector length : 3-Pin ARGB

connector; Female -53.5cm | Male -

74.5cm

### **Pump Specs**

Speed of the

Pump : 2500RPM±10%

Rated Voltage of the

Pump : 12V

Rated Current of the

Pump : 0.3A

Power Consumption

of the Pump : 3.6W

Type of Connector

Used : 3 Pin connector

MTBF of the

Pump : 30000 Hours

Tube Length of the

AIO Cooler : 38cm

Type of Pipes

Used : Braided Rubber Pipe

Diameter of the

Pipe : 1.12cm

Noise Level of the

Pump : 30db

CPU Block power connector and connector length : 3-Pin Power Connector; Length - 32cm

CPU Block LED connector and connector length : 3-Pin ARGB connector; 48cm - Female | 58cm - Male

### **Radiator Specs**

Material of the Heat Sink : Aluminium

Material of the Heat transfer Pipe : Copper

Dimension of the Radiator : 40 x 12 x 3cm

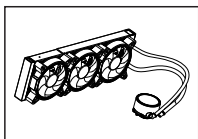
Dimensions of the CPU Block : 9 x 7.5 x 5.2cm

### **General Specs**

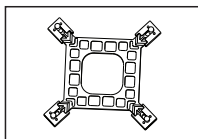
Product Weight : 1.47kg

# Packaging Contents

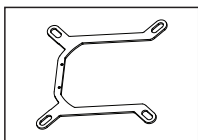
**A** CPU Cooler



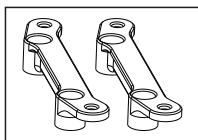
**B** Intel Backplate



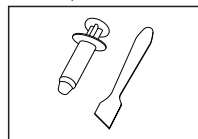
**C** Intel Bracket



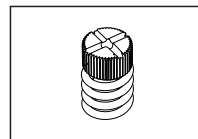
**D** AMD Bracket



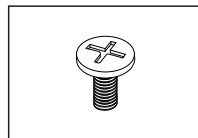
**E** Thermal paste with spreader



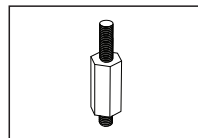
**G1** 4 x Mounting Nuts



**G2** 4 x AMD Bracket Screws



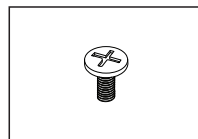
**G3** 4 x Intel Screw Studs



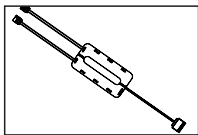
**G4** 4 x Intel bracket screws (LGA2011)



**G5** Radiator Mounting screw set.



## G6 Fan Controller

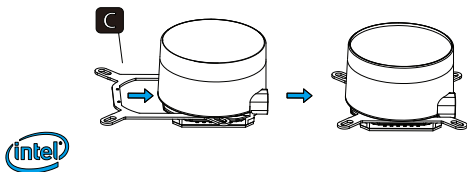


### Installation instructions:-

#### ***For Intel Setup:-***

Step1:- Take the included Intel Mounting Bracket(C) and align with the Latching mechanism of the CPU Block.

Step2:- Slide the Intel mounting bracket (c) into the mounting Slot of the CPU block until the Intel mounting bracket cannot be moved any further(as shown in the reference image) .



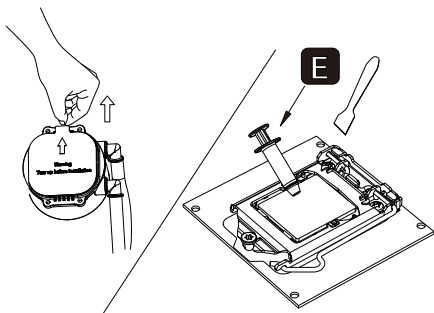
### 2.Applying the thermal paste:-

Step1:- Remove the existing Thermal compound which is present on the CPU

Step2:- Apply the included thermal paste on the CPU as per your CPU requirement

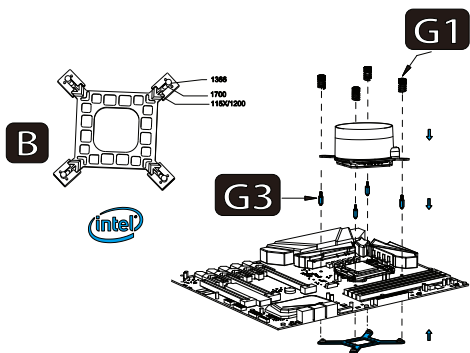
Step3:- Using the include Thermal paste spreader, Spread the applied thermal paste evenly on the surface of the CPU.

Step4:- Wipe of the excess Thermal compound which is present on the CPU.  
Now peel of the protective cover which is present under the conductive plate of the CPU Block.



### 3.MOUNTING THE CPU BLOCK:-

For LGA 1700 / LGA 1200 / LGA115X models:-





Step1:- Take the included Intel Mounting Backplate(B), Adjust the mounting points according to your motherboard layout. Now align it to the rear side of the motherboard.

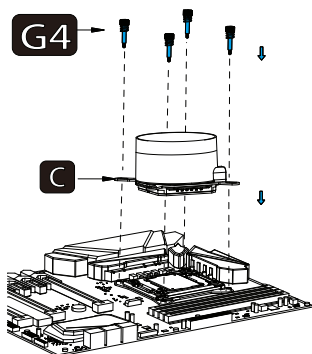
Step2:- Align the mounting studs(G3) to the motherboard as shown in the reference image. Fasten the Mounting studs to the Mounting bracket which is placed on the rear side of the motherboard.

Step3:- Align the CPU block to the mounting studs(G3) (as shown in the reference image).

Step4:- Align the mounting Nuts(G1) to the CPU block (as shown in the reference image).

Step5:- Using the required tools. Fasten the Mounting nuts(G1) along with the CPU block to the mounting Studs(G3) which is placed on the motherboard.

## For LGA2011 model :-



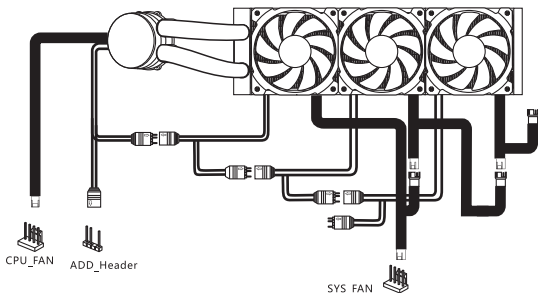
Step1:- Take the included Intel Mounting Backplate(B), adjust the mounting points according to your motherboard layout. Now align it to the rear side of the motherboard.

Step2:-Align the CPU block to the motherboard (as shown in the reference image).

Step3:- Align the mounting Screws(G4) to the CPU block (as shown in the reference image).

Step4:- Using the required tools. Fasten the Mounting screws(G4) along with the CPU block to the mounting bracket(B) which is placed on the rear side of the motherboard.

## 4.Connection of AIO Cooler

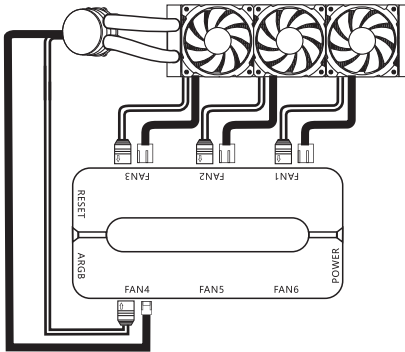


Step1:- Combine the 4 - pin fan connector of the AIO cooler together and Plug the combined 4 - pin Fan connector to the System fan header of the motherboard.

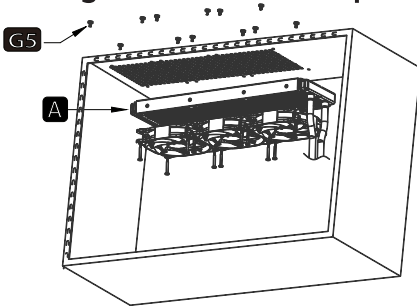
Step2:- Combine the 3 – pin ARGB fan connector and 3 – pin ARGB CPU Block connector. Now plug the Combined ARGB connector to the 3 – pin connector to the ARGB header of the Motherboard.

Step:3:- Connect the Power connector CPU Block connector to the CPU Fan Header which is present on the motherboard.

*Alternatively you can connect a fan controller to the connection setup which is provided in the package contents of the AIO cooler. Please follow the below connection diagram to fully utilize the fan controller.*



## 5. Mounting the AIO Cooler setup.



Step1:- Align the Radiator block of the AIO cooler to the mounting points of the Gaming cabinet.

Step2:- Place the mounting screws on the mounting points of the AIO cooler.

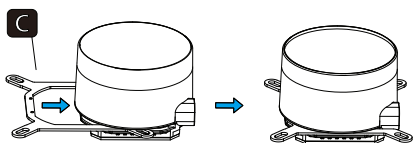
Step3:- by using the required tools, Fasten the mounting screws to the AIO cooler via the cabinet. Ensure to apply pressure evenly for optimal placement

## For AMD SETUP

### 1.Assembling the CPU BLOCK:-

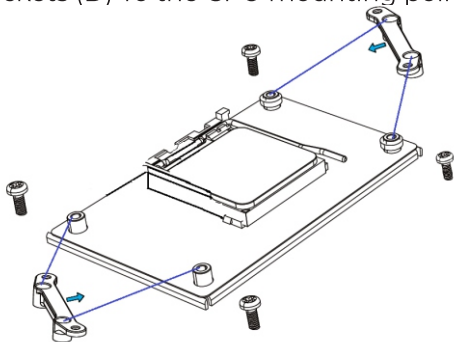
Step1:- Take the included Intel Mounting Bracket(C) and align with the Latching mechanism of the CPU Block.

Step2:- Slide the Intel mounting bracket (c) into the mounting Slot of the CPU block until the Intel mounting bracket cannot be moved any further(as shown in the reference image) .



### 2.Combining the CPU Mounting brackets:-

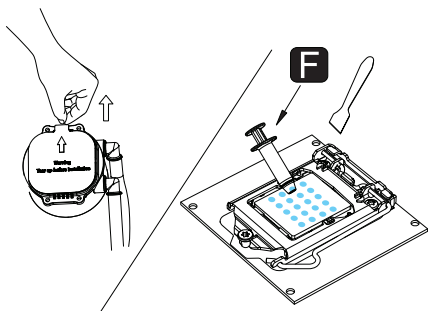
Step1:- Align the AMD mounting brackets (D) To the CPU mounting points of



Step2:- Align the AMD mounting screws(G2). To the mounting points of the motherboard.

Step3:- Using the required tools, Fasten the AMD mounting screws into the mounting points of the motherboard via the AMD mounting plate (as shown in the Reference image).

### **3.Applying the thermal paste:-**



Step1:-Remove the existing Thermal compound which is present on the CPU

Step2:- Apply the included thermal paste on the CPU as per your CPU requirement.

Step3:- Using the include Thermal paste spreader, Spread the applied thermal paste evenly on the surface of the CPU.

Step4:- Wipe of the excess Thermal compound which is present on the CPU.

Now peel of the protective cover which is

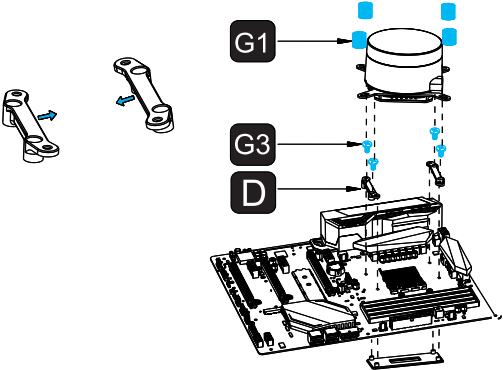
present under the conductive plate of the CPU Block

**4.Mounting CPU Block:-**

Step1:- Align the intel screw stud to the mounting points of the AMD Mounting Bracket and fasten the mounting stud to the mounting points of the AMD bracket.

Step2:- Align the CPU block to the Intel screw studs. Now place the CPU block on the CPU via the mounting studs.

Step3:- Now align the Intel mounting Nuts to the Intel screw Stud and Fasten them with even pressure until the CPU block is intact

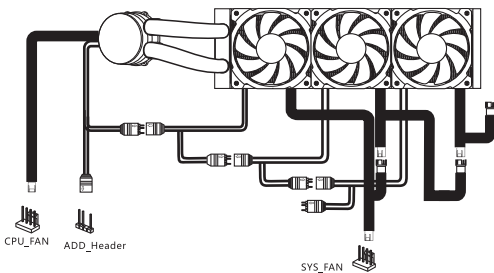


## 5.Connection of AIO Cooler

Step1:- Combine the 4 – pin fan connector of the AIO cooler together and Plug the combined 4 – pin Fan connector to the System fan header of the motherboard.

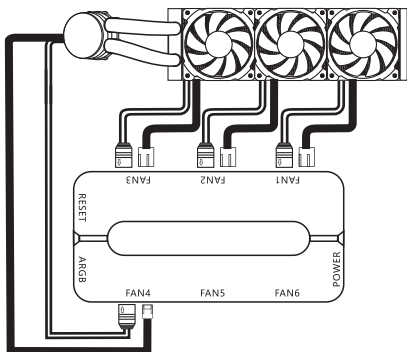
Step2:- Combine the 3 – pin ARGB fan connector and 3 – pin ARGB CPU Block connector. Now plug the Combined ARGB connector to the 3 – pin connector to the ARGB header of the Motherboard.

Step3:- Connect the Power connector CPU Block connector to the CPU Fan Header which is present on the motherboard.

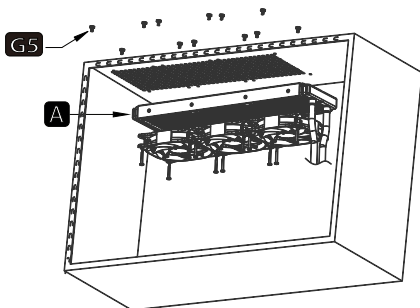


Alternatively you can connect a fan controller to the connection setup which is provided in the package contents of the AIO cooler. Please follow the below connection diagram to fully utilize the fan controller.





## 6. Mounting the AIO Cooler setup.



Step1:- Align the Radiator block of the AIO cooler to the mounting points of the Gaming cabinet.

Step2:- Place the mounting screws on the mounting points of the AIO cooler.

Step3:- by using the required tools, Fasten the mounting screws to the AIO cooler via the cabinet. Ensure to apply pressure evenly for optimal placement

*Note:- Please use a compatible gaming cabinet to mount the AIO cooler.*

We suggest you to visit our Below link to buy the optimal Gaming chassis for your AIO Cooler.

*[https://zebronics.com/collections/  
premium-gaming-chassis](https://zebronics.com/collections/premium-gaming-chassis)*



ISO 9001:2015 Certified Company  
[www.zebronics.com](http://www.zebronics.com)