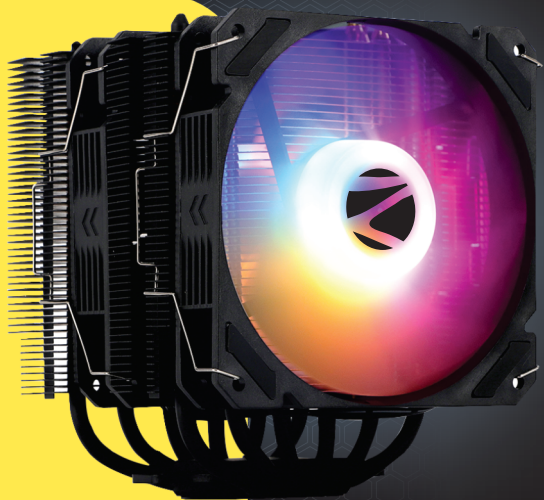




Gamer's Dream

AM CPU Air Cooler ZEN **FC1200U**



www.zebronics.com

**User
Manual**

Thank you for purchasing **ZEB-FC1200U CPU** AIO Cooler. Please read this user manual carefully and keep it for future reference.

Note

- *Avoid the usage of this product at the high temperature and high humidity environment.*
- *Avoid the self-disassembly of the products or it results in the voiding the product's Warranty.*
- *Please wipe the existing thermal compound which is present on the CPU and install the Included thermal compound for obtaining the best Cooling efficiency.*

To know more about Terms and conditions for warranty policy, please visit

<https://zebronics.com/pages/warranty-policy>

Features :

- Dual Tower Cooler
- Easy to Install
- Silent Operation
- 4 Pin PWM Fan
- Dual 120mm ARGB Fans
- 6 Copper Heat Pipes
- Motherboard ARGB sync*
- ARGB Controller

* Supports major sync softwares

Specifications :

Supported CPU Models

Intel	: LGA 775/1150/1151/1155/ 1156/1200/1366/1700
AMD	: AMD - FM2/FM3/AM2/ AM3/AM4/AM5

Heatsink Material : Aluminum

No. of Fins : 44

Fan Size : 120mm

Fan Speed : 800-1800 RPM

Fan Airflow Rate : 67 CFM

Fan Power

Connector : 4-Pin | Length : 26cm

Fan ARGB

Connector : 3-Pin | Length : 10cm

Noise level : 36dB

Net Dimension : 12 x 11.7 x 15.6 cm
(W x D x H)

Package contents :

CPU Cooler : 1U

Bracket : 1U

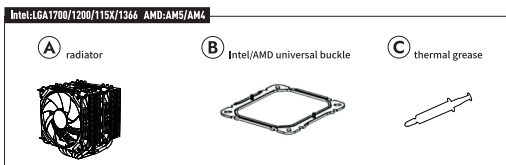
Screws Sets : 4U

Thermal Paste : 1U

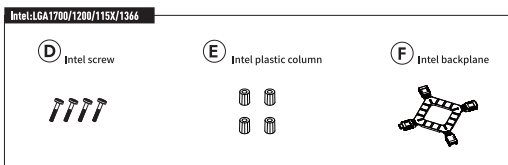
QR Code Guide : 1U

LED Controller : 1U

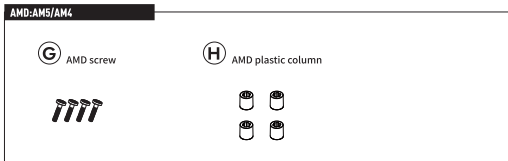
Common Accessories :



For INTEL :



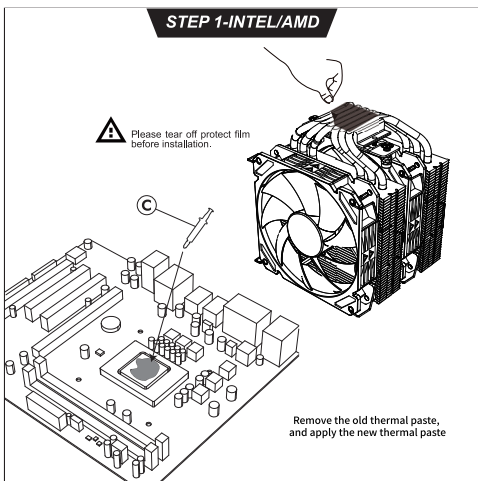
For AMD :



Installation Instructions :

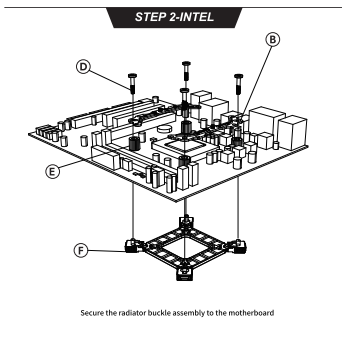
Step1 : Please tear of the Protective film on top on top of the Copper Heat pipes before installation.

Step2 (INTEL / AMD) : Remove the old thermal paste, and apply the Thermal paste (C) given in the package.

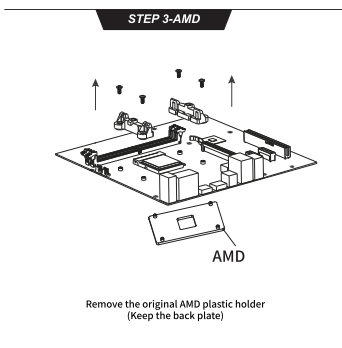


Step 3 (INTEL) : Take the included Intel Mounting Back plate (F), Adjust the mounting points according to your motherboard layout. Now align it to the rear side of the motherboard.

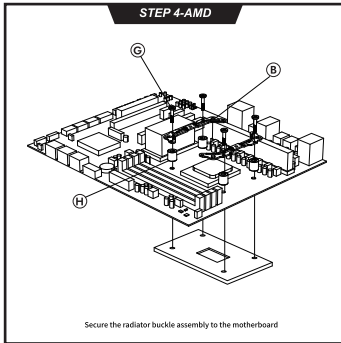
Step 4 (INTEL) : Place the Intel plastic column (E) in the desired holes, aligned with the back plate (F). Then, place the provided buckle (B) on top of the plastic column and fasten it with the Intel screws (D) provided, as shown in the image below.



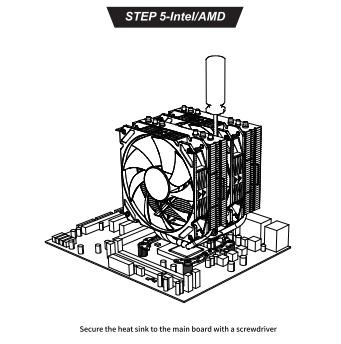
Step 3 (AMD) : Remove the original AMD Plastic holder (Keep the back plate).



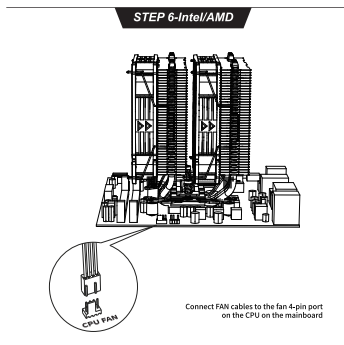
Step 4 (AMD) : Place the AMD plastic column (H) in the desired holes, aligned with the AMD back plate. Then, place the provided buckle (B) on top of the plastic column and fasten it with the AMD screws (G) provided, as shown in the image below



Step 5 (INTEL/ AMD) : Place the Cooler on top of the buckle and make sure it creates contact with the CPU, Now Secure the cooler with Buckle using the built in screws

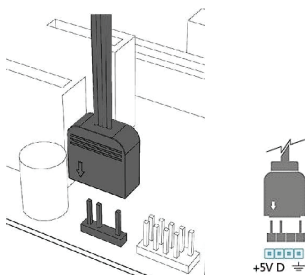


Step 6 (INTEL / AMD) : Now connect the Fan PWM cable female Port to the 4 pin male connector of the Motherboard .



LED Control Instruction : (Use better line images for Representation)

- Connect the ARGB female port of the Fan to the ARGB male port of your Mother board and use your desired software to adjust the ARGB LED lights of the fan.

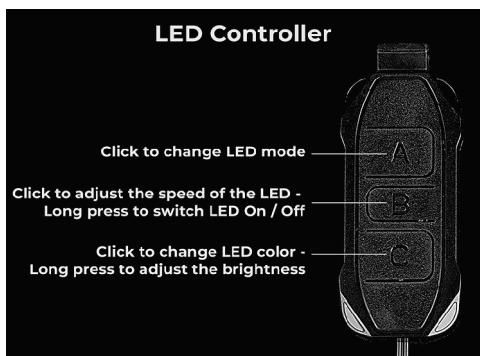


- If the Motherboard doesn't have ARGB support, Connect the ARGB female port of the Fan to the ARGB male port of Controller
- Connect the SATA end of the controller to the SATA female port of the Power supply



- Now use the controller to adjust the LED lights, as given below.

Controller instruction :



Note : User can connect extra ARGB fans using the Additional male connector provide in the Fan.



ISO 9001:2015 Certified Company
www.zebronics.com