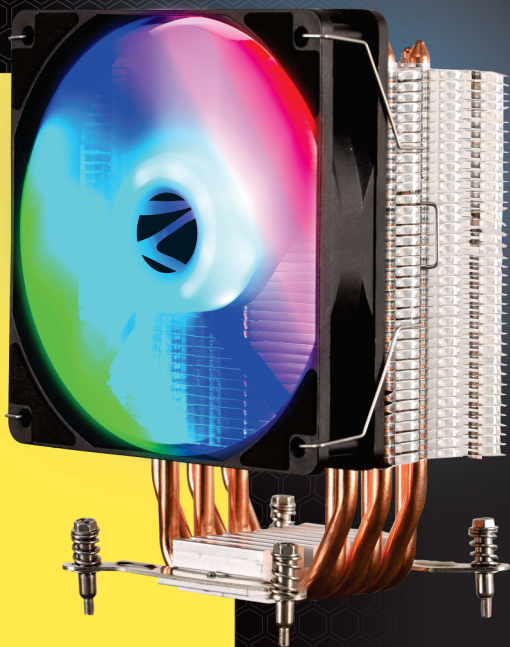




Gamer's Dream

# NEO CPU Air Cooler **FC630A**



[www.zebronics.com](http://www.zebronics.com)

**User  
Manual**

Thank you for purchasing **ZEB – FC630A** CPU Air Cooler. Please read this user manual carefully and keep it for future reference.

### **Note**

- *Avoid the usage of this product at the high temperature and high humidity environment.*
- *Avoid the self-disassembly of the products or it results in the voiding the product's Warranty.*
- *Please wipe the existing thermal compound which is present on the CPU and install the Included thermal compound for obtaining the best Cooling efficiency.*

*To know more about Terms and conditions for warranty policy, please visit*

*<https://zebronics.com/pages/warranty-policy>*

### **Features:**

- Tower Cooler
  - Easy to Install
  - Silent Operation
  - 4 Pin PWM Fan
  - 120mm ARGB Fan
  - 6 Copper Heat Pipes
  - Motherboard ARGB sync\*
- \* Supports major sync softwares

## Specifications:

### Supported CPU Models

Intel	: LGA 775/1150/1151/1155/ 1156/1200/1366/1700
AMD	: FM2/FM3/AM2/ AM3/AM4/AM5

Heatsink Material : Aluminum

No. of Fins : 39

Fan Size : 120mm

Fan Speed : 800-1800 RPM

Fan Airflow Rate : 67 CFM

Fan Power

Connector : 4-Pin | Length : 26cm

Fan ARGB

Connector : 3-Pin | Length : 10cm

Noise level : 36dB

Net Dimension : 12 x 7.5 x 15 cm  
(W x D x H)

## Package contents :

CPU Cooler : 1U

Bracket : 1U

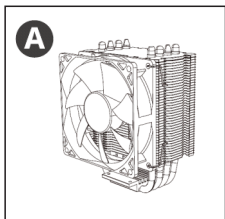
Screws Sets : 4U

Thermal Paste : 1U

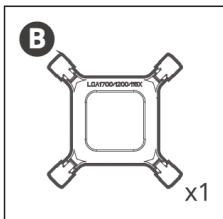
QR Code Guide : 1U

LED Controller : 1U

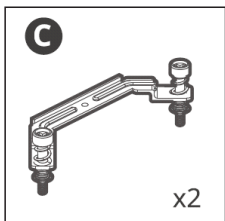
## Package Contents :



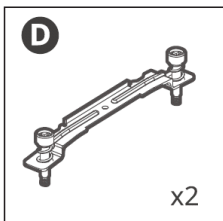
**(A) Air Cooler**



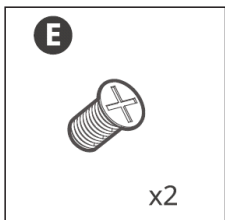
**(B) Intel Mounting Bracket**



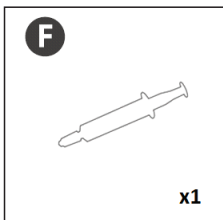
**(C) Mounting Clips**



**(D) Mounting Screws**



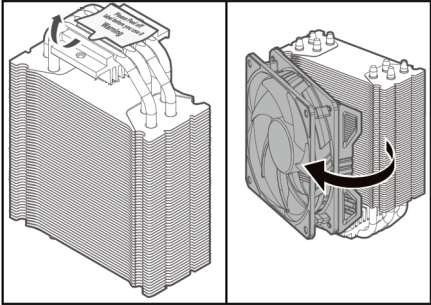
**(E) Thermal Paste**



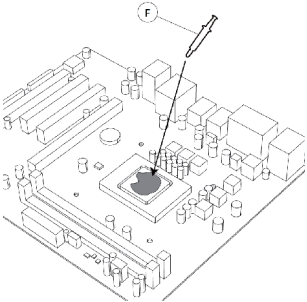
**(E) Thermal Paste**

**For INTEL Setup:**  
**Installation Instructions:**

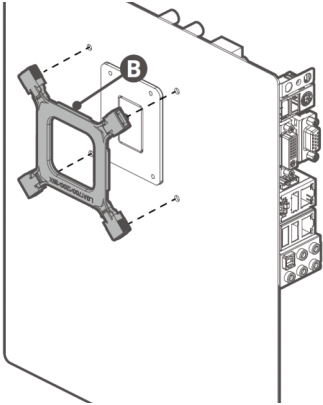
Step1 : Please tear of the Protective film on top of the Copper Heat pipes before installation & Remove the fan for easy installation.



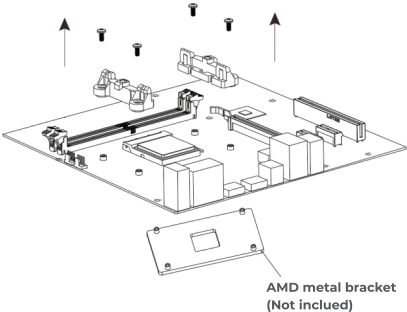
Step2 : (INTEL / AMD) : Remove the old thermal paste, and apply the Thermal paste (C) given in the package.



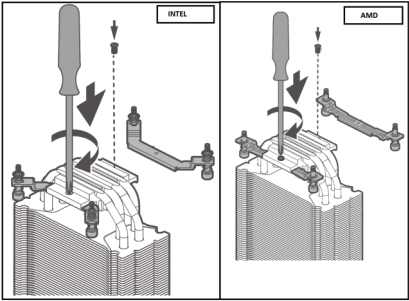
Step3 : (INTEL) : Take the included Intel Mounting Back plate (F), Adjust the mounting points according to your motherboard layout. Now align it to the rear side of the motherboard.



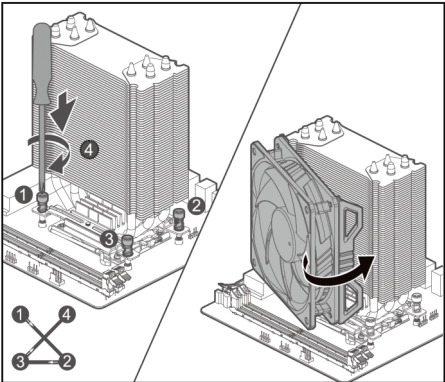
Step3 : (AMD): Remove the original AMD Plastic holder (Keep the back plate).



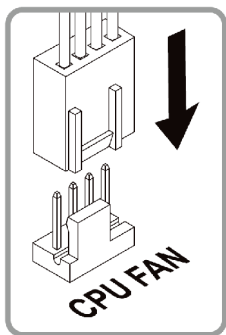
Step 4 : (INTEL /AMD) : Fasten the Provide INTEL/ AMD Brackets Provided to the Cooler as show below.



Step5 : (INTEL/ AMD): Place the Cooler and make sure it creates contact with the CPU, Now Secure the cooler using the Screws in the Bracket as shown below and Put back the fan in place.

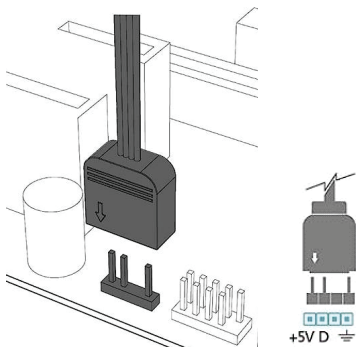


Step 6 : (INTEL / AMD): Now connect the Fan PWM cable female Port to the 4 pin male connector of the Motherboard.



### ARGB Fan Connections :

Connect the ARGB female port of the Fan to the ARGB male port of your Mother board and use your desired software to adjust the ARGB LED lights of the fan.





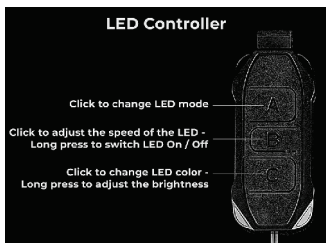
If the Motherboard doesn't have ARGB support, Connect the ARGB female port of the Fan to the ARGB male port of Controller.

Connect the SATA end of the controller to the SATA female port of the Power supply.



Now use the controller to adjust the LED lights, as given below.

### Controller instruction :



*Note : User can connect extra ARGB fans using the Additional male connector provide in the Fan.*



ISO 9001:2015 Certified Company  
[www.zebronics.com](http://www.zebronics.com)