



Gamer's Dream



Premium Gaming Chair  
**GC3500**

**User Manual**

[www.zebronics.com](http://www.zebronics.com)

Thank you for purchasing **ZEB-GC3500** premium gaming chair. Please read this user manual carefully before operation & save it for future reference.

To know more about Terms and conditions for warranty policy, please visit :



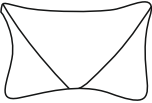
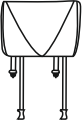
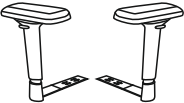

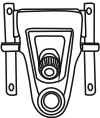







<https://zebronics.com/pages/warranty-policy>

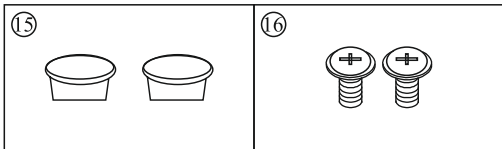
### **Specification**

|                                  |                      |
|----------------------------------|----------------------|
| Chair Cover Material             | : Linen fabric+suede |
| Frame Type                       | : Metal Frame        |
| Foam Density                     | : 20D                |
| Legs Material                    | : Metal Base         |
| Swivels angles                   | : 360°               |
| Adjustable Tilt Angle            | : 90°-155°           |
| Armrest type                     | : 4D                 |
| Caster Wheels size               | : 6 cm               |
| Gas Lift Class                   | : Class 4            |
| Product Dimension<br>(W x D x H) | : 70 x 56 x 137 cm   |
| Net Weight                       | : 21.5 kg            |

\*at maximum height.

# Package Contents:

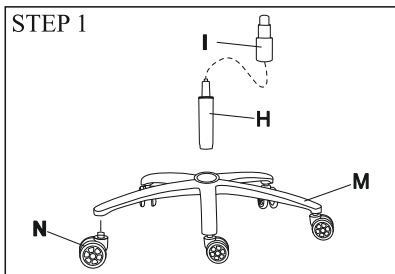
|   |   |
|---|---|
| ①    | ②    |
| ③    | ④    |
| ⑤    | ⑥    |
| ⑦   | ⑧   |
| ⑨  | ⑩  |
| ⑪  | ⑫  |
| ⑬  | ⑭  |



## Installation Procedure:

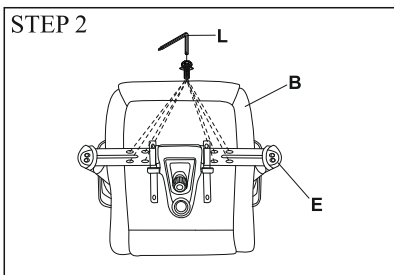
### Step 1: Setting up the Base

- Install the castor wheels to the Base.
- Install the Gas lift to the Base.
- Now place the Plastic cover on the top of the gas lift.



### Step 2: Connecting the Armrests

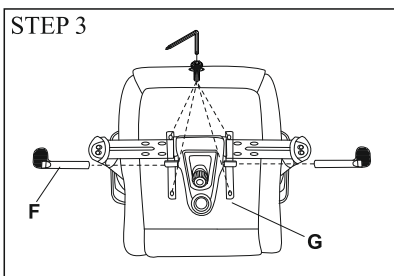
- Align the Armrests fitments (1.Left, 2.Right) to the Armrest mounting points of the seat cushion.
- Place the included screws to the mount on the Armrests fitments (1.Left, 2.Right).



- By using the provided Allen Key, Fasten the included screws into the mounting points of the Seat Cushion as shown in the reference image.

### Step 3: Combining the Lift mechanism

- Align the Gas lift mechanism to the Armrest mounting points of the seat cushion.
- Gas Lift mechanism levers as shown in the reference image.

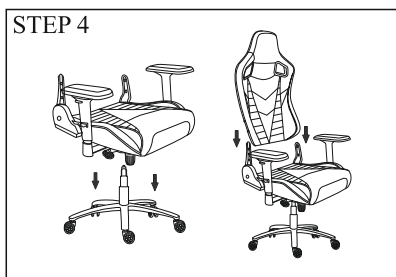


- Place the included screws to the mount on the Gas Lift mechanism to the Seat Cushion.

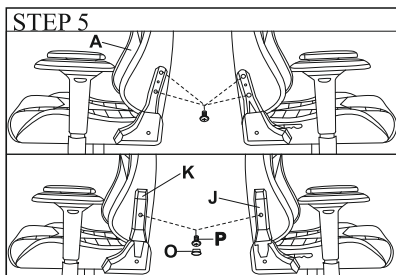
- By using the provided Allen Key, Fasten the included screws into the mounting points of the Seat Cushion as shown in the reference image.

#### **Step 4 : Joining the Seat Cushion**

- Place the assembled Seat cushion on the Gas lift cylinder.
- Align the Backrest cushion to the mounting points of the seat cushion.



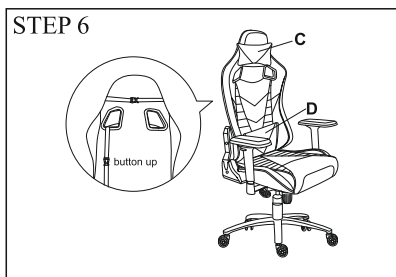
#### **Step 5 : Linking the Plastic covers**



- Place the Plastic cover ( J and K ) on the Cushion-Backrest linkage mechanism (Refer the product image).
- Place the included screws on the mounting points of the linkage mechanism (Refer the image)
- Using the provided Allen key. Fasten the screws which are Placed on the mechanism.
- Place the Included screw caps as shown in the assembly image.

### Step 6 : Finishing Up

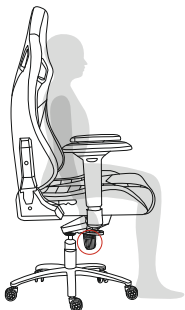
- Place the Headrest cushion and Lumbar cushion. That concludes the assembly process of the gaming chair.



## Instructions for Product Usage :

1

### Seat Height: Paddle-shaped lever on right side



#### To raise:

While taking your weight off your chair and adjust the lever upwards.

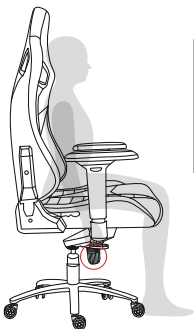
#### To lower:

While seated, adjust the lever upwards.

\*At the proper height, your feet should rest flat on the floor.

2

### Tilt Tension: Adjustment



To increase tension:  
While seated, turn knob  
Anti Clockwise  
(toward + sign).



To decrease tension:  
While seated, turn knob  
Clockwise (toward - sign).

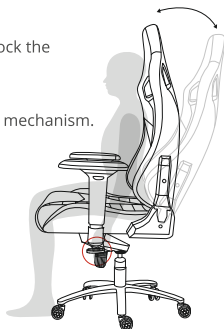
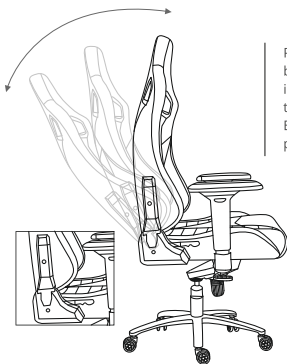


**3****Backseat adjustment**

Push down to unlock the mechanism.



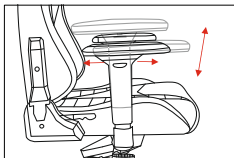
Pull up to lock the mechanism.

**4****Motion adjustment**

Pull the lever fully and lean back slowly until desired angle is achieved, then slowly return the lever to its starting position, Ensure the lever locks back in place.

# 5

## 4D Multi-Function Armrest

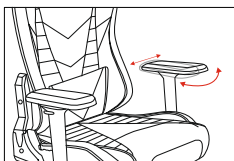


① Up and Down

② Forward and Backward

③ Left and Right

④ Rotate





ISO 9001:2015 Certified Company  
[www.zebtronics.com](http://www.zebtronics.com)